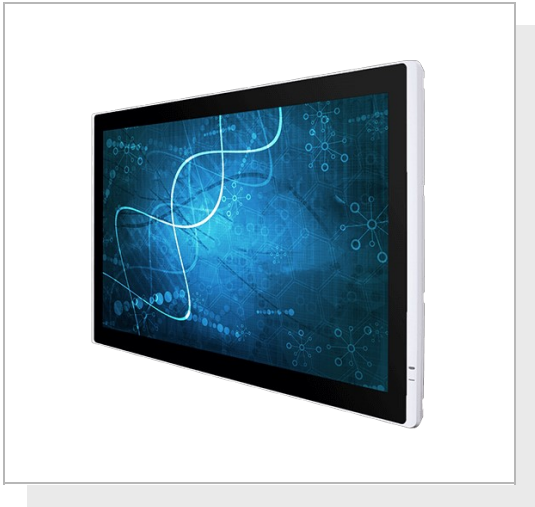


W32L100-PTA3-ME

32" Multi-Touch Color Surgical Display



KEY FEATURES

- 32" 1920 x 1080 with P-CAP touchscreen
- Bottom side keys x 5
- Fanless and Ventless design, Easy-to-Clean
- Support VGA, HDMI signal input
- Front IP65



SPECIFICATIONS

Display			
Resolution	1920x1080	Size	32.0 inches
Contrast Ratio	4000:1	Panel Brightness	400 nits
Display Color	16.7M Colors	View Angles	89,89,89,89
Active Area	698.4 x 392.85 mm	Touch / Glass	Projected Capacitive Multi Touch Screen
Environment			
Operating Humidity	10% to 90% RH, non-condensing	Operating Temperature	0°C to 35°C
Storage Temperature	-20 °C to 60 °C		
Certification			
Certification	CE, FCC		
Compliance			
Compliance	IEC 60601-1:2005 + A1:2012 (Ed. 3.1) IEC 60601-1-6:2010 + A1:2013 (Ed. 3.1) IEC 62366:2007 + A1:2014 (Ed. 1.1) ANSI/AAMI ES60601-1:2005/A1:2012 and C1:2009/(R)2012 and A2:2010/(R)2012 CAN/CSA-C22.2 No.60601-1:14 EN 60601-1-2:2015, IEC 60601-1-2:2014 (Ed. 4.0) EN 55032/EN 55024, FCC part 15B EN 62368-1:2014 RoHS-2, REACH, WEEE compliant		
IO Ports			
USB Port	1 x USB for Touch Screen	Video	1 x VGA 1 x HDMI
Audio	2 x Speaker		
Mechanical			
Dimension	799 x 478 x 63.7 mm	Mounting	VESA Mount
Enclosure	Plastic	Cooling System	Fanless Design
Accessory			
Accessory	1 x VGA cable 1 x HDMI cable 100~240V AC to DC Adapter	Optional Accessory	USB cable for Touch (Optional)

Power Cord
Manual
VESA screws
Remote Controller

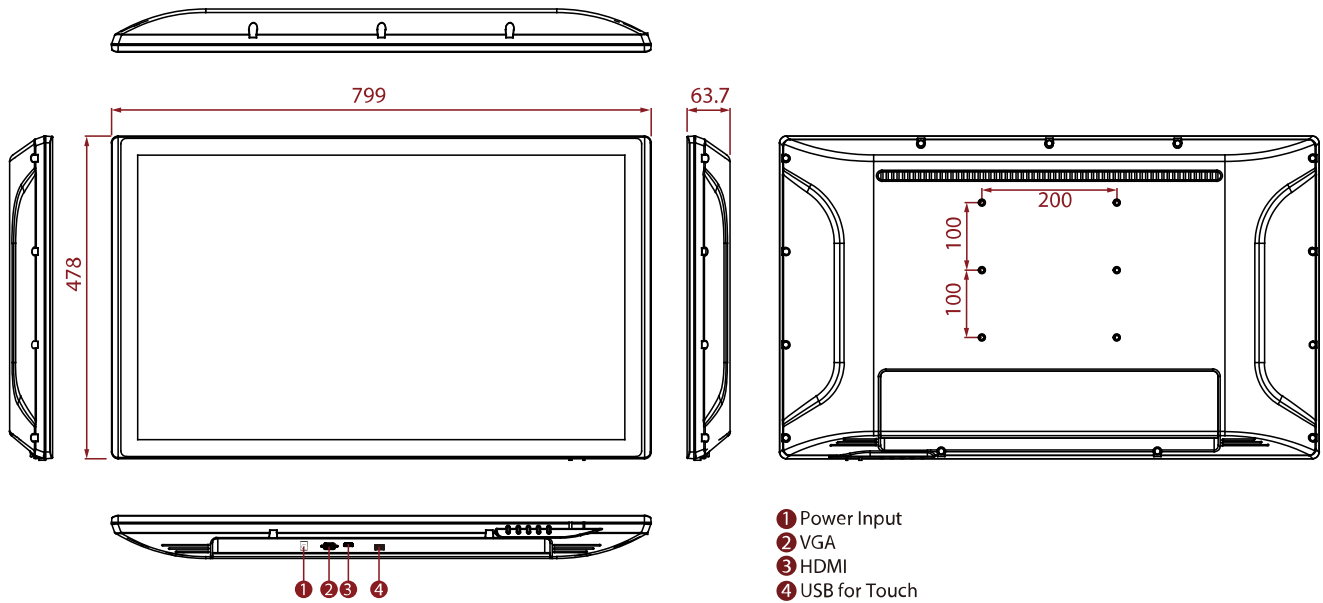
Power

Power Rating 12V DC input

Control

Button 5 Keys: -, +, Power, Esc, Enter

DIMENSIONS UNIT:MM



NOTE

1. This is a simplified drawing and some components are not marked in detail.
2. The product shown in this datasheet is a standard model. For diagrams that contain customized or optional I/O, please contact the Winmate Sales Team for more information.
3. All specifications are subject to change without prior notice.