

W05L100-EHT1

5.6" Multi-Touch Panel Mount Display



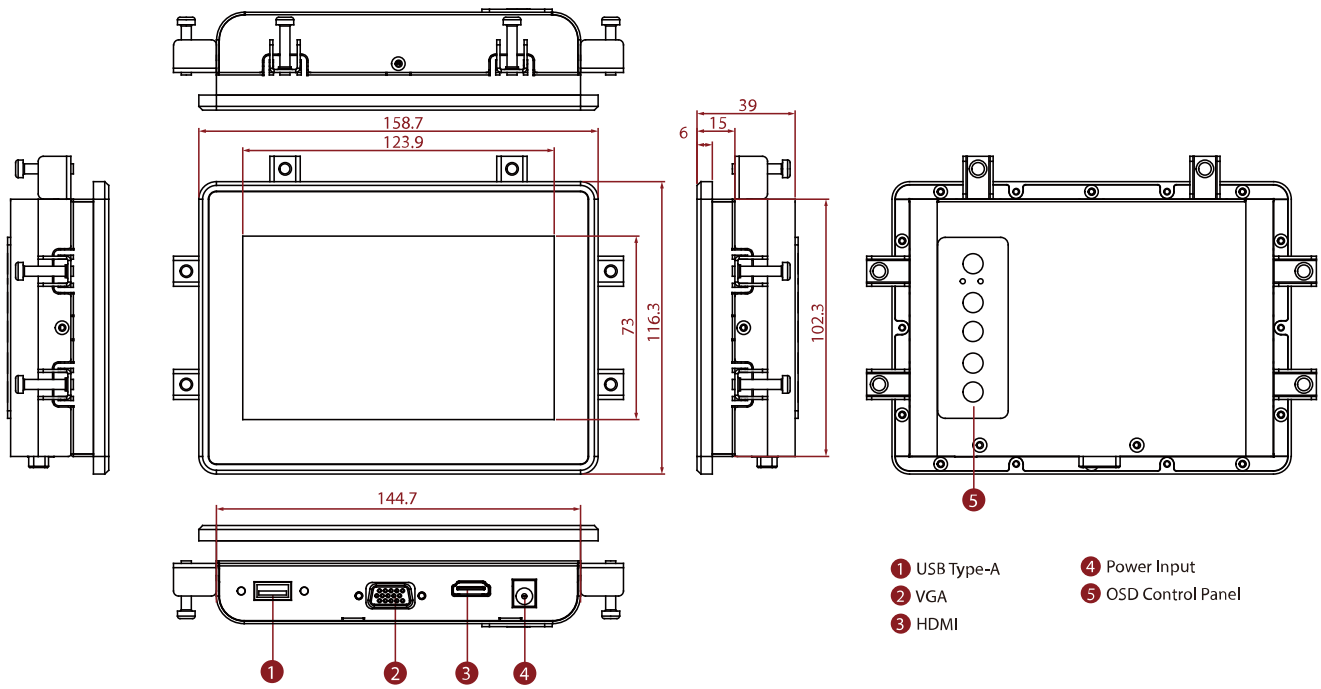
KEY FEATURES

- 5.6", 1024 x 600
- VGA and HDMI input
- Panel mount
- VESA mount
- PCAP touch



SPECIFICATIONS

Display	
Resolution	1024x600
Contrast Ratio	400:1
Display Color	256K Colors
Active Area	122.88x72.0 mm
Size	5.6 inches
Panel Brightness	300 nits
View Angles	40,40,20,30
Touch / Glass	Projected Capacitive Multi Touch Screen
Environment	
Operating Humidity	10% to 90% (non-condensing)
Storage Temperature	-20~60°C
Operating Temperature	0~50°C
IP rating	Front IP65
Certification	
Certification	CE, FCC
IO Ports	
USB Port	1 x USB for Touch Screen
Video	1 x VGA 1 x HDMI (Optional) 1 x DVI (Optional)
Audio	Audio line in (3.5mm) + 2 x Speaker (Optional)
Mechanical	
Dimension	158.7 x 116.3 x 39 mm
Enclosure	Metal
Mounting	VESA Mount/ Panel Mount
Cooling System	Fanless Design
Accessory	
Accessory	1 x VGA cable 1 x HDMI cable 100~240V AC to DC Adapter Power Cord Manual VESA screws(Varies by product)
Optional Accessory	Remote Controller (Optional,Varies by product)
Power	
Power Rating	12V DC input
Control	
Button	5 Keys: -, +, Power, Esc, Enter



NOTE

1. This is a simplified drawing and some components are not marked in detail.
2. Please contact our sales representative if you need further product information.
3. All specifications are subject to change without prior notice.
4. The product shown in this datasheet is a standard model. For diagrams that contain customized or optional I/O, please contact the Winmate Sales Team for more information.