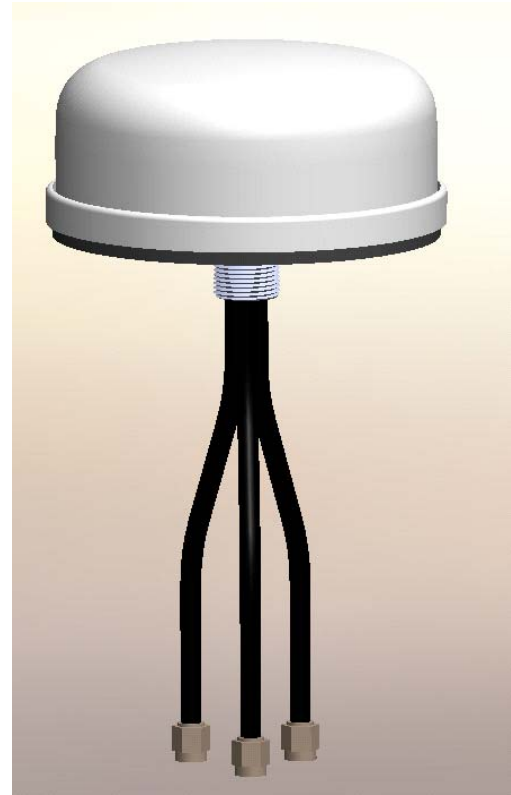
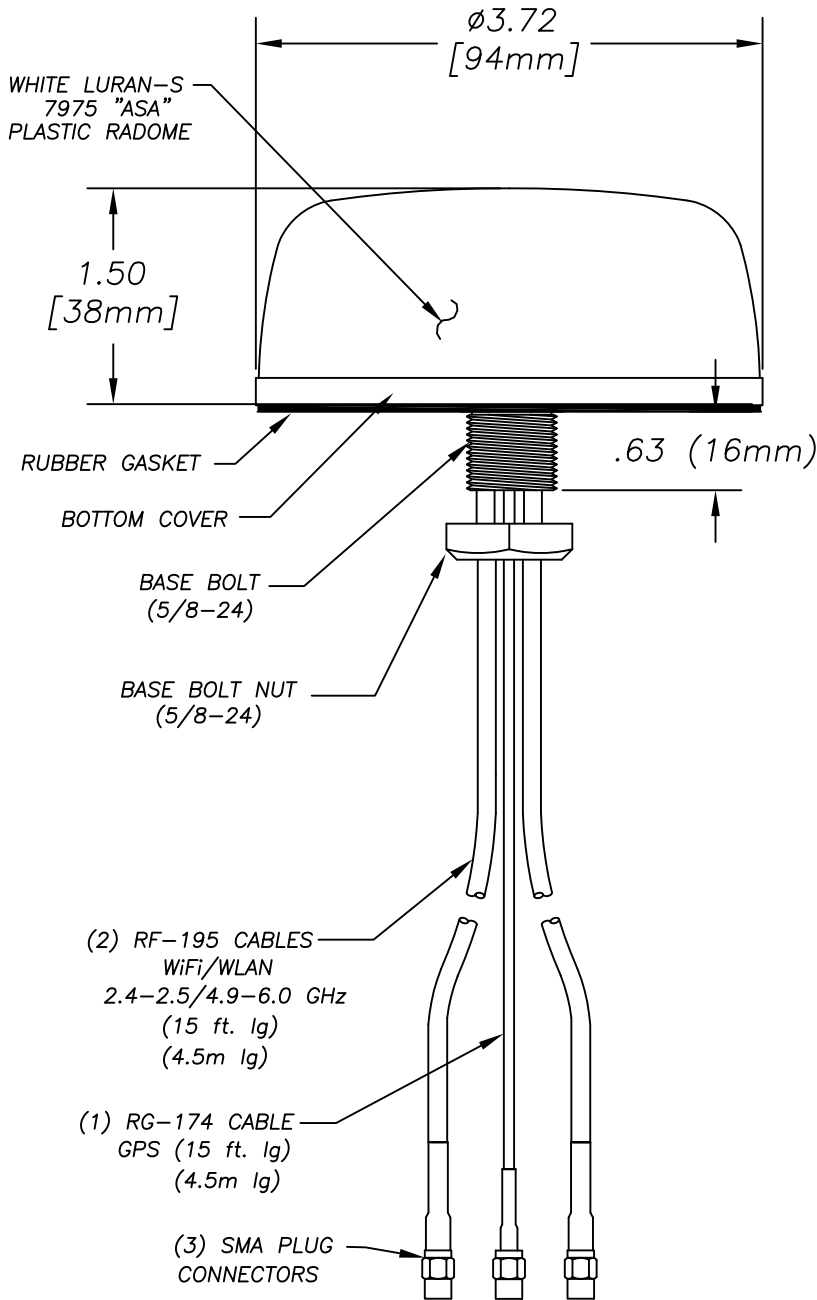


# SMD-W-3C3C2C-WHT-180

## MIMO Low Profile Surface Mount Antenna Two Feed 2.4-2.5 & 4.9-6.0 GHz with GPS



Metric Dimensions in Brackets [mm]



antenna solutions

US OFFICE & HEADQUARTERS: 1140 W. THORNDALE AVE. ITASCA, IL 60143  
TEL: (847) 671-6690 \* FAX (847) 250-5120

UK OFFICE: 8 MIRAS BUS PARK, KEYS PARK ROAD. HEDNESFORD WS12 2FS, UK.  
UK TEL: (+44) 1543-459555 FAX (+44) 1543-459545

VISIT OUR WEBSITE AT WWW.MOBILEMARK.COM

### Antenna Specifications

#### Electrical Properties:

Frequency:	2.4-2.5 GHz
	4.9-6.0 GHz
GPS Frequency:	1575 MHz
GPS Gain	26 dB, 5 dBi Antenna
	3.3/5 VDC
	10mA (typ.), 20mA (max.)
Polarization:	Vertical
Impedance:	50 Ohm nominal
Maximum Power:	20 Watts
Gain:	4 dBi
VSWR:	Less than 2:1
Isolation between elements	>20 dB
Cables:	(2) RF-195, (1) RG-174
Connectors:	(3) Rev Pol SMA Plug
Surface Mounting:	up to 1/4" thk metal
Mounting Stud Length:	5/8" lg.
Hardware:	Nut and Gasket

#### Mechanical Properties:

Base Diameter:	3.72" (94mm)
Height:	1.50" (38mm)
Weight:	1.0 lbs (.45 kg)
Radome Material:	White "ASA"

#### Environmental Properties:

Operating Temperature:	-40C to +80C
Water Ingress Rating:	IP X 7
Shock and Vibration	EN61373:1999

JP	7/27/16	A	IEEE1478-2001
			MIL-STD-810G