

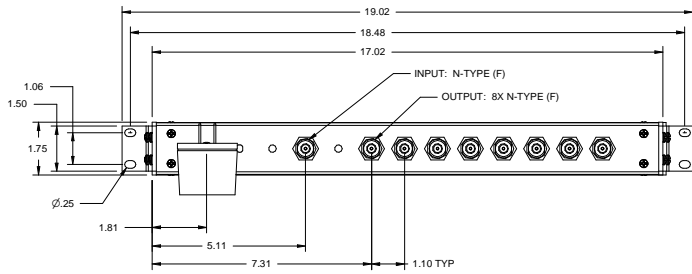
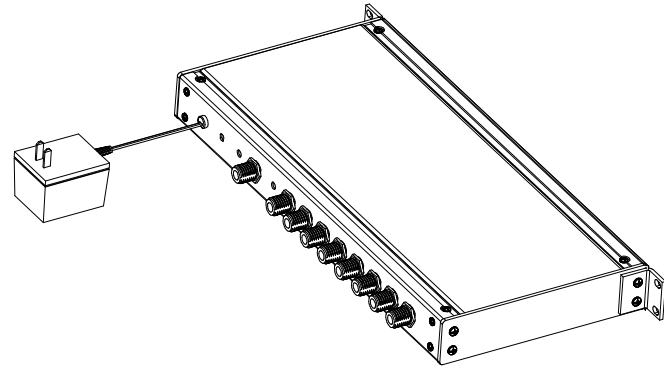
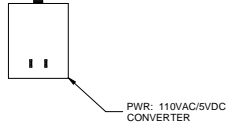
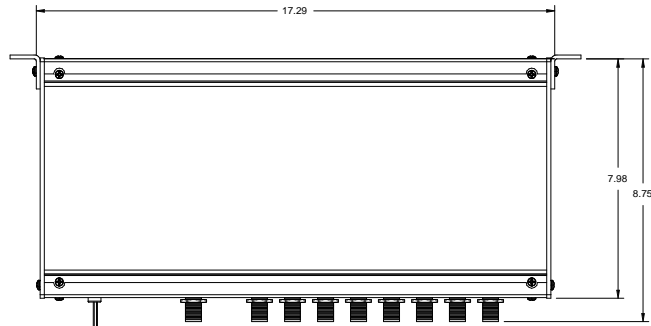
4

3

2

1

REVISIONS				
ZONE	REV	DESCRIPTION	DATE	APPROVED
	001A	INITIAL RELEASE	01-25-10	DSD
	001	PRODUCTION RELEASE	01-25-10	DSD
	002	PRINT CLARIFICATION	06-04-10	DSD



	<b>TOLERANCES UNLESS OTHERWISE SPECIFIED</b> LINEAR .X ± .1 .XX ± .01 .XXX ± .005 .XXXX ± .0005 ANGULAR ± T RADIUS SEE LINEAR	DRAWN R G STONE	DATE 06-04-10	<small>THE INFORMATION CONTAINED IN THIS DESIGN IS THE SOLE PROPERTY OF GPS SOURCE. USE OF THIS DESIGN IS RESERVED EXCLUSIVELY FOR GPS COMPANY. REPRODUCTION OR DISTRIBUTION OF ANY PORTION OF DESIGN IS FORBIDDEN WITHOUT THE EXPRESS WRITTEN CONSENT OF GPS SOURCE.</small>
		CHECKED N SLOAN	DATE 06-04-10	
MATERIAL SEE BOM		QA S GENEVA	DATE 06-04-10	DESCRIPTION <b>FSA 1 IN 8 OUT PWR 110/5VDC N(F)</b>
GPS SOURCE PART NUMBER FSA-ADS-ABX-BBZ	FINISH AS PROVIDED	APPROVED D DAWKINS	DATE 06-04-10	SIZE C 
		SCALE 1:3	MASS 4.5 LBS	GPS FILE NAME 031-FSA-ADS-ABX-BBZ REV 002 SHEET 1 OF 1

4

3

2

1

D

C

B

A

D

C

B

A