

Antenna Specifications:

Frequency: _____ 433 MHz
 Bandwidth: _____ 6 MHz
 Gain: _____ 0 dBi Peak
 VSWR: _____ 2:1
 Radome Material: _____ Black ABS Plastic
 Impedance: _____ 50 Ohm Nominal
 Maximum Input Power: _____ 10 Watts
 Connector: _____ BNC Plug
 Operational Temperature: _____ -40° to +85°C
 Mounting: _____ 5/8 Dia. feed thru,
 3/4" lg thread
 for up to
 1/4" thk. metal
 Weight: _____ 6.5 oz (184g)



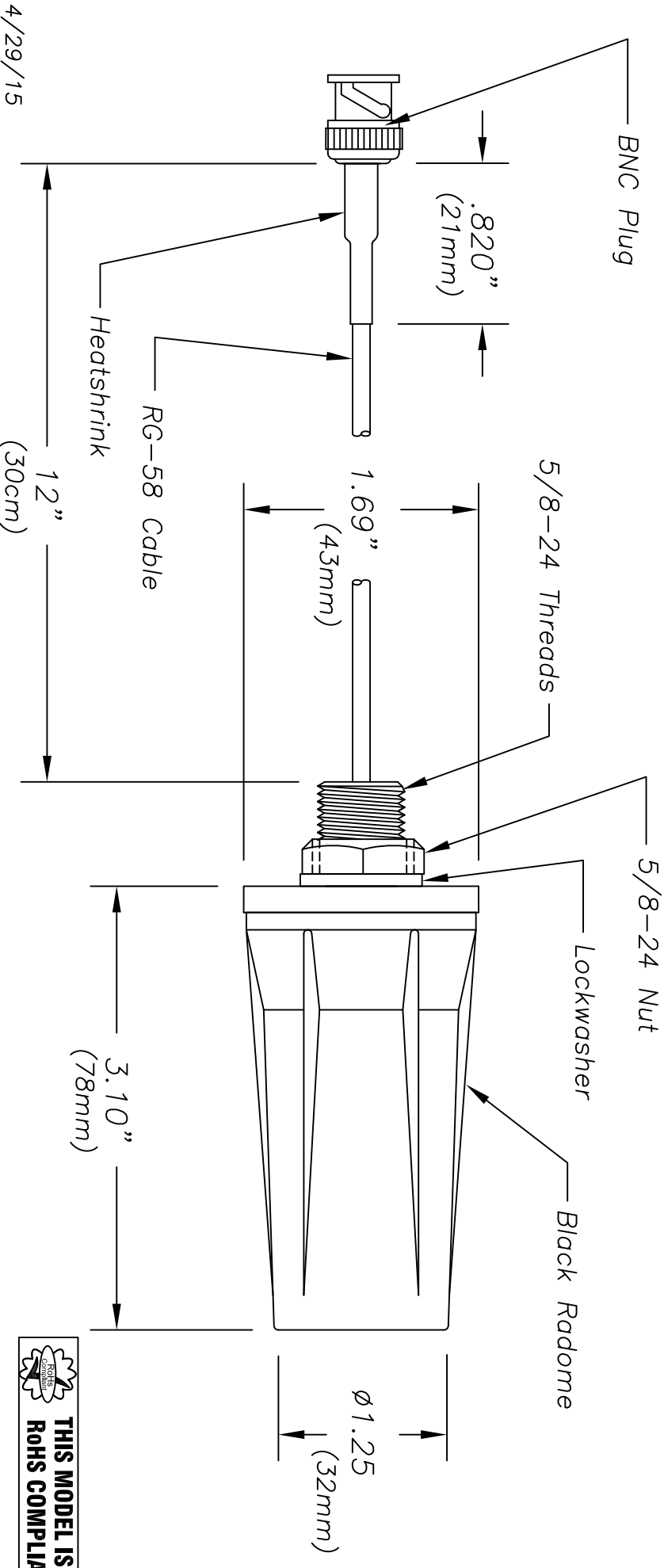
antenna solutions

US OFFICE & HEADQUARTERS: 1140 W THORNDALE AVE, ITASCA, IL 60143
 TEL: (847) 671-6690 * FAX (847) 250-6120
 UK OFFICE: 8 MIRAS BUS PARK, KEYS PARK ROAD, HEDNESFORD WS12 2FS, UK.
 UK TEL: (+44) 1543-459555 FAX (+44) 1543-459545
 VISIT OUR WEBSITE AT WWW.MOBILEMARK.COM

RM-433-1G-BLK-12

Surface Mount Antenna

433 MHz



**THIS MODEL IS
 ROHS COMPLIANT**