

R15L600-65EX

15" IP65 Stainless ATEX Display



KEY FEATURES

- Class 1, Division 2 & ATEX Zone 2 application certification
- 15" 1024 x 768, 550 nits (Optional 1000 nits) LCD Panel
- Explosion-proof 5-wire resistive touch/projection capacitive multi-touch
- Stainless steel design
- IP65 Certified, dust-proof and water-resistant
- Wide temperature range -20°C to 50°C



SPECIFICATIONS

| Display | |
|------------------------------|---|
| Touch / Glass | Resistive Touch Screen Bonding With Panel (Explosion-Proof) |
| Size | 15 inches |
| Panel Brightness | 550 nits 1000 nits(Optional) |
| View Angles | 88,88,88,88 |
| Resolution | 1024x768 |
| Contrast Ratio | 2000:1 |
| Display Color | 16.2M Colors |
| Active Area | 304.1x228.1 mm |
| Mechanical | |
| Dimension | 396 x 310 x 49 mm |
| Enclosure | Stainless Housing |
| Mounting | VESA Mount |
| Cooling System | Fanless design |
| Environment | |
| Operating Humidity | 10% to 95% (non-condensing) |
| Operating Temperature | -20~50°C |
| Storage Temperature | -20~50°C |
| Shock | MIL-STD-810G Method 516.6 |
| Vibration | MIL-STD-810G Method 514.6 |
| Drop | MIL-STD-810G Method 516.6 |
| IP rating | IP65 |
| Certification | |
| Certification | CE, FCC UL60950-1, CSA C22.2 No. 60950-1-07, EN 62368-1, IEC60950-1 ATEX Zone 2 EX II 3 G Ex ic nA IIC Gc UL Class I, Div.2, Groups ABCD T4 ANSI/ISA12.12.01 CAN/CSA C22.2 No. 213-M1987 |
| IO Ports | |
| Power Input | 1 x 9~36V DC, M12 Type connector |
| Serial Port | 1 x M12 type connector for Touch 1 x M12 type connector for RS232 remote control (Optional) |
| Indicator | 1 x LED Indicator for power 1 x LED Indicator for storage |
| USB Port | 1x M12 type connector for Touchscreen |
| Video | 1x M12 type connector for VGA input |
| Control | |
| Button | 1 x Power Button |

- 1 x Adjust up button
- 1 x Adjust down button
- 1 x ESC (Auto) button
- 1 x OK (Menu) button

Accessory

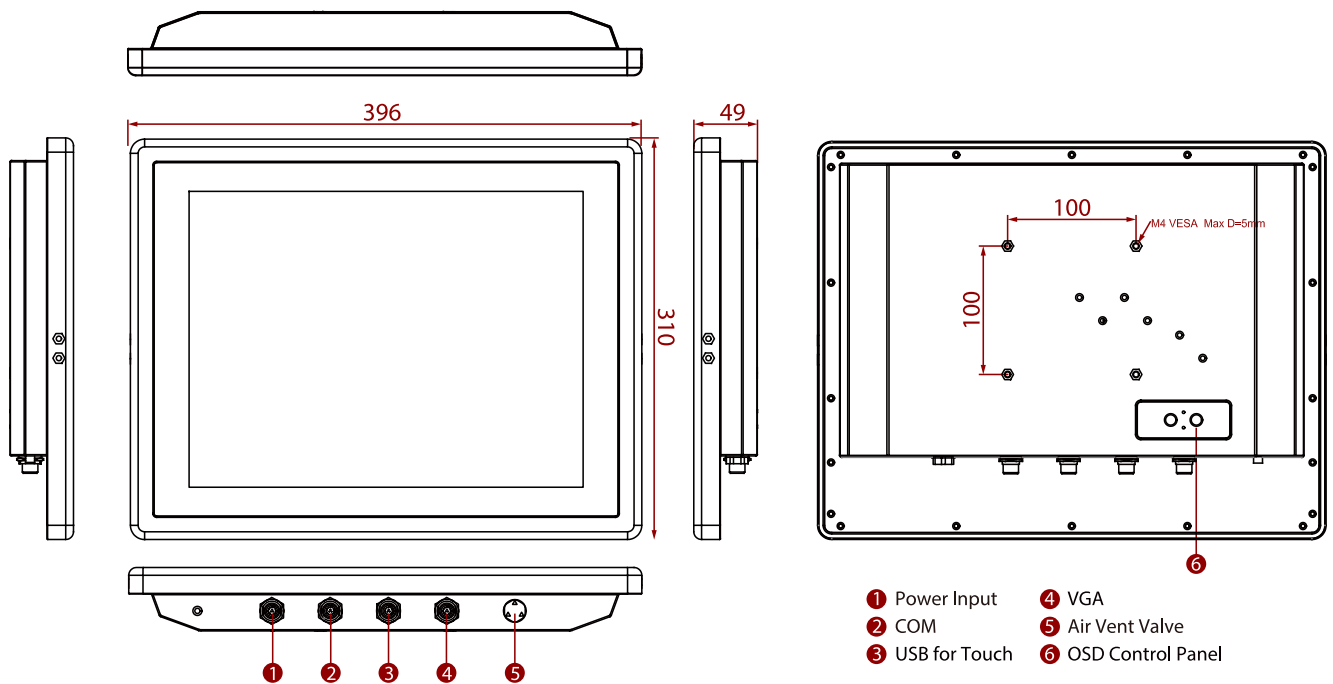
Accessory

- 100~240V AC to DC Power Adapter with M12 Connector
- Power Cord
- M12 Type Power Cable
- M12 Type RS232 Male Cable for remote control
- M12 Type USB Male Cable for Touch
- M12 Type VGA Cable
- Driver CD & Manual
- VESA screws

Optional Accessory M12 Type RS232 Male Cable for touchscreen control (Optional)

System Specification

DIMENSIONS UNIT:MM



NOTE

1. Total usable memory will be less depending upon actual system configuration
2. Length measurements do not include protrusions. Weight varies with options.
3. Accessories and integrated options may vary depending on your configuration
4. This is a simplified drawing and some components are not marked in detail.
5. All specifications are subject to change without prior notice.
6. The product shown in this datasheet is a standard model. For diagrams that contain customized or optional I/O, please contact the Winmate Sales Team for more information.