

# R08T200-VMU1

## 8.4" G-WIN VM Series Display



### KEY FEATURES

- High Quality 8.4" panel, 800 x 600 resolution, 600 nits
- 5 wire / 4 wire resistive touch screen
- -10 ~ +55°C Wide Range Operating Temperature
- Anti-Corrosion housing with Fanless Design
- Front IP65 Dust & Waterproof Protection (Except I/O ports)
- 9V ~ 36V DC Isolation Wide Range Power Input



### SPECIFICATIONS

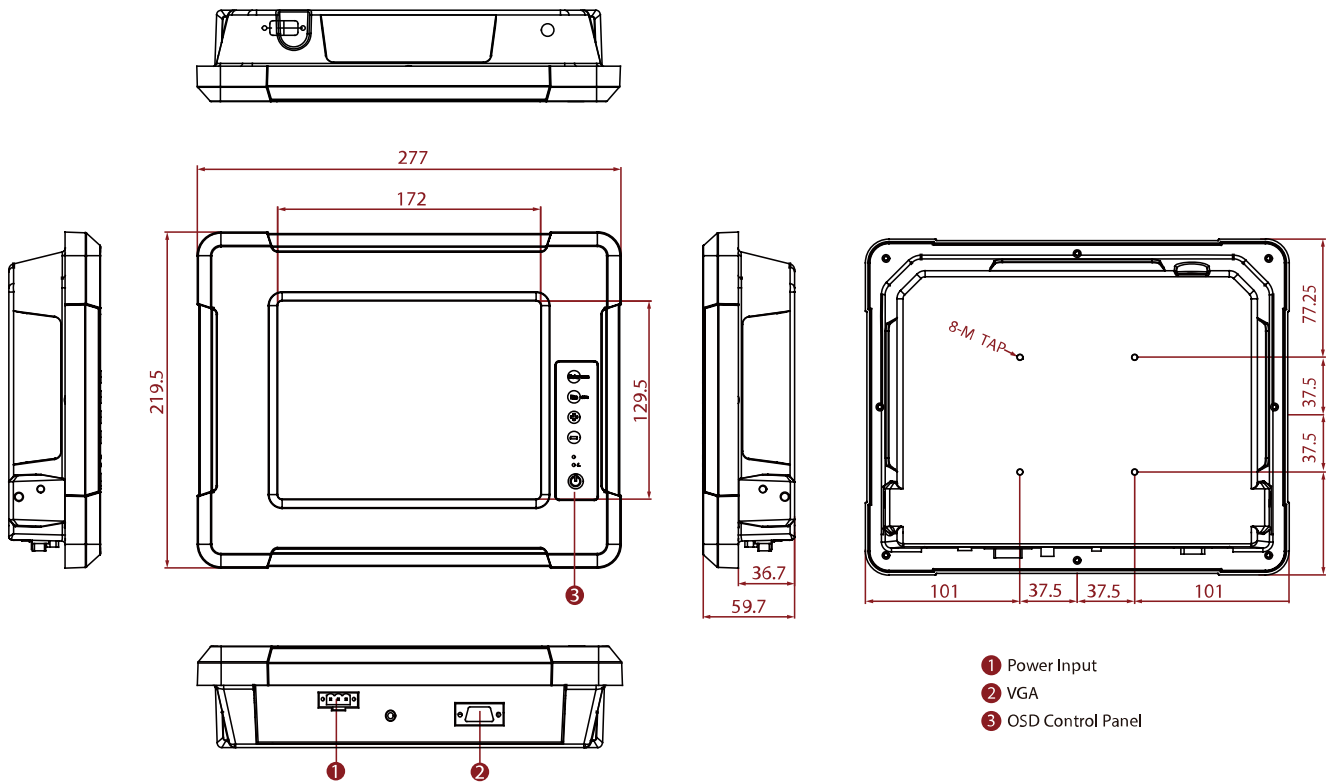
Display			
Resolution	800x600	Size	8.4 inches
Contrast Ratio	600:1	Panel Brightness	600 nits
Display Color	262K Colors	View Angles	75,75,60,70
Active Area	170.4x127.8 mm	Touch / Glass	Resistive Touch Screen Protection Glass Without Touch Function (Optional)
Mechanical			
Dimension	277 x 219.5 x 59.7 mm	Mounting	VESA Mount Yoke Mount
Enclosure	Aluminum Housing	Cooling System	Fanless design
Environment			
Operating Humidity	10% to 90% (non-condensing)	Operating Temperature	-10~60°C
Storage Temperature	-30~70°C	Shock	Ignore MIL-STD-810G Method 516.6 (Optional)
Vibration	MIL-STD-810G Method 514.6	IP rating	Front IP65
Certification			
Certification	CE, FCC		
IO Ports			
Power Input	1 x 9~36V DC, 3-Pin Terminal Block	USB Port	1x USB type-A for touch screen control (Optional)
Serial Port	1 x RS232 D-sub9 for touch screen control (Optional)	Video	1x VGA input 1x S-Video & Composite input (Optional)
Indicator	1 x LED Indicator for power 1 x LED Indicator for status		
Control			
Button	1 x Power Button 1 x Adjust up button 1 x Adjust down button 1 x ESC (Auto) button 1 x Menu button		
Accessory			
Accessory	Open Wire Cable with terminal block connector	Optional Accessory	Yoke mount stand (Optional)

External VGA cable  
Driver CD & Manual  
VESA screws

100~240V AC to DC Adapter with power cord  
(Optional)  
External USB/COM cable for touchscreen control  
(Optional)  
External S-video cable (Optional)  
External Composite cable (Optional)

## System Specification

## DIMENSIONS UNIT:MM



## NOTE

1. This is a simplified drawing and some components are not marked in detail.
2. The product shown in this datasheet is a standard model. For diagrams that contain customized or optional I/O, please contact the Winmate Sales Team for more information.
3. All specifications are subject to change without prior notice.