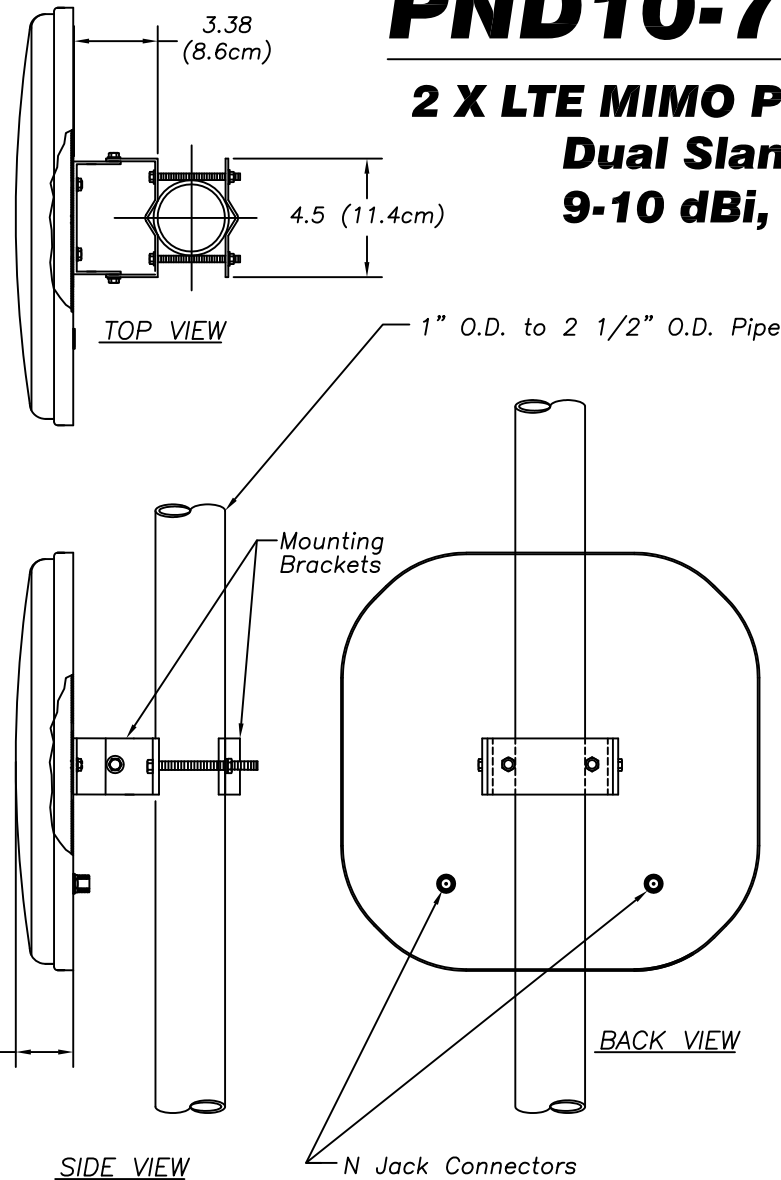


# PND10-700/2700-GRY

**2 X LTE MIMO Panel Directional Antenna**  
**Dual Slant  $\pm 45^\circ$  Polarization**  
**9-10 dBi, 695-2700 MHz**



## Antenna Specifications:

Frequency/Gain:	695-960 MHz, 9 dBi Peak 1710-2170 MHz, 10 dBi Peak 2400-2700 MHz, 10 dBi Peak
VSWR, Max. (R.L., dB):	2:1 (9)
Vertical Beamwidth (E):	695-960 MHz, 59° typ. 1710-2700 MHz, 37° typ.
Horizontal Beamwidth (Az):	695-960 MHz, 65° typ. 1710-2700 MHz, 60° typ.
Polarization:	Slant +45° & -45°
Radome Material:	ASA UV Inhibitive Plastic-Gray
Impedance:	50 OHM Nominal
Maximum Power:	50 Watts
Front to Back Ratio:	25 dB
Isolation:	20 dB typ.
Elevation Adjustment:	$\pm 15^\circ$
Connector:	"N" Jack
Rated Wind:	125 mph (201 kph)
Lightening Protection:	DC Ground, External protection recommended
Mounting Kit:	Mounts from 1" OD to 2.5" OD pipe
Weight(without mount):	3 lbs.
Operational Temperature:	-40°C to +80°C

**MobileMark**  
 antenna solutions

US OFFICE & HEADQUARTERS: 1140 W. THORNDALE AVE. ITASCA, IL 60143  
 TEL: (847) 671-6690 \* FAX (847) 250-5120

UK OFFICE: 8 MIRAS BUS PARK, KEYS PARK ROAD. HEDNESFORD WS12 2FS, UK.  
 UK TEL: (+44) 1543-459555 FAX (+44) 1543-459545

