



MEA-LW2-SM

Cellular/LTE and 2.4/5.0GHz ISM screw mount antenna

Part #: 189-00061-01

Description

The MEA-LW2-SM Screw Mount Antenna is a 2-in-1 low profile antenna solution, with a very high-performance ideal for maintaining constant network connectivity. The MEA-LW2-SM covers all Cellular/LTE and 2.4/5.0GHz ISM standard frequencies. This is an ideal antenna for telematics systems, remote surveillance, asset tracking and any IOT system applications. The high performance and low profile make this antenna ideal for the most challenging installations. This screw mount antenna is easy to install with maximum durability offering IP67 rated housing and anti-rotation mounting. The MEA-LW2-SM has a two cables with a SMA-Male standard connectors, 3m standard cable length and is fully customizable by offering additional connector types, cable lengths and cable types.



Cable 1 - CELLULAR / LTE Antenna	
Frequency Range	698-960 MHz
Band	700/850/900 MHz
Return Loss	-9.3 dB
VSWR	2.1:1
Efficiency	45.9%
Peak Gain	2.7 dBi
Average Gain	-3.8 dB
Frequency Range	1710-2170 MHz
Band	1700/1800/1900/2100 MHz
Return Loss	-6.8 dB
VSWR	2.7:1
Efficiency	50.3%
Peak Gain	5.1 dBi
Average Gain	-3.2 dB
Frequency Range	2500-2700 MHz
Band	2600 MHz
Return Loss	-19.9 dB
VSWR	1.3:1
Efficiency	64.1%
Peak Gain	5.3 dBi
Average Gain	-1.9 dB
Impedance	50 Ohm
Polarization	Linear
Radiation Pattern	Omni-Directional
Max. Input Power	25 W

Features

- 2in1 antenna: Cellular/LTE and 2.4/5.0GHz ISM
- Wide band antenna
- Ground Plane Independent
- Cable 1: Cellular/LTE (698-960, 1710-2170 and 2500-2700 MHz)
- Cable 2: 2.4/5.0 GHz ISM (2410-2490 and 4920-5925 MHz)
- Rugged housing
- IP67 rated
- IP69 rated
- Low profile: 80 x 74 x 43 mm
- Easy mounting: Screw Mount
- Anti-Rotation mounting
- Customized Cable and Connector

Applications

- LTE applications
- Navigation and telematics systems
- IoT applications
- Automotive connectivity
- Multimedia
- Fleet management
- HD video and audio streaming



Maxtena Inc.
7361 Calhoun Place, Suite 102
Rockville, MD 20855
1-877-629-8362
info@maxtena.com

www.maxtena.com

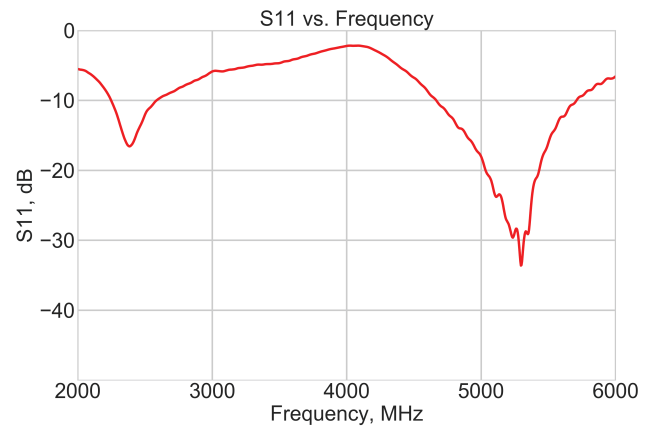
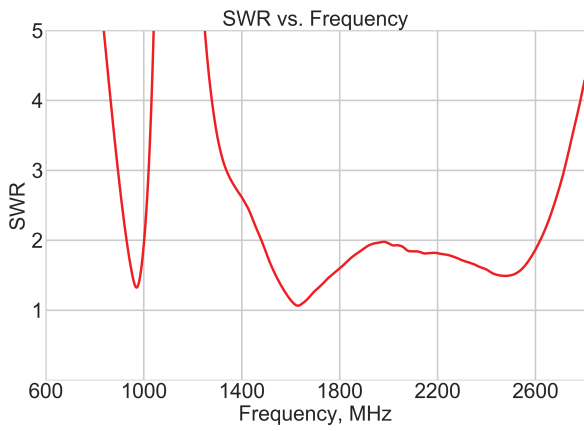
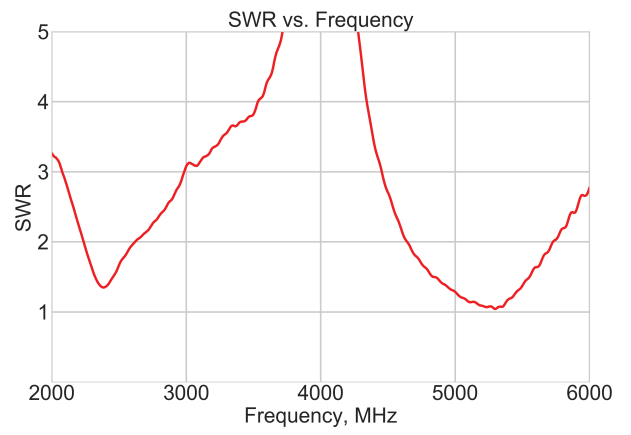
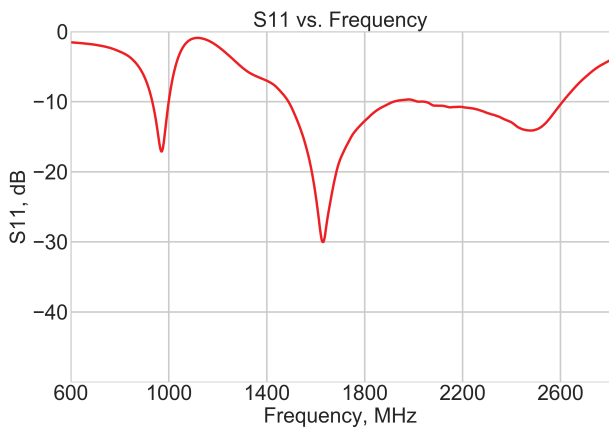
Cable 2 - 2.4/5.0 GHz ISM Antenna

Frequency Range	2410-2490 MHz	4920-5925 MHz
Band	2400 MHz	5000 MHz
Return Loss	-13.5 dB	-12.8 dB
VSWR	1.6:1	1.8:1
Efficiency	35.4%	26.4%
Peak Gain	3.4 dBi	3.2 dBi
Average Gain	-4.5 dB	-5.8 dB
Impedance	50 Ohm	
Polarization	Linear	
Radiation Pattern	Omni-Directional	
Max. Input Power	25W	

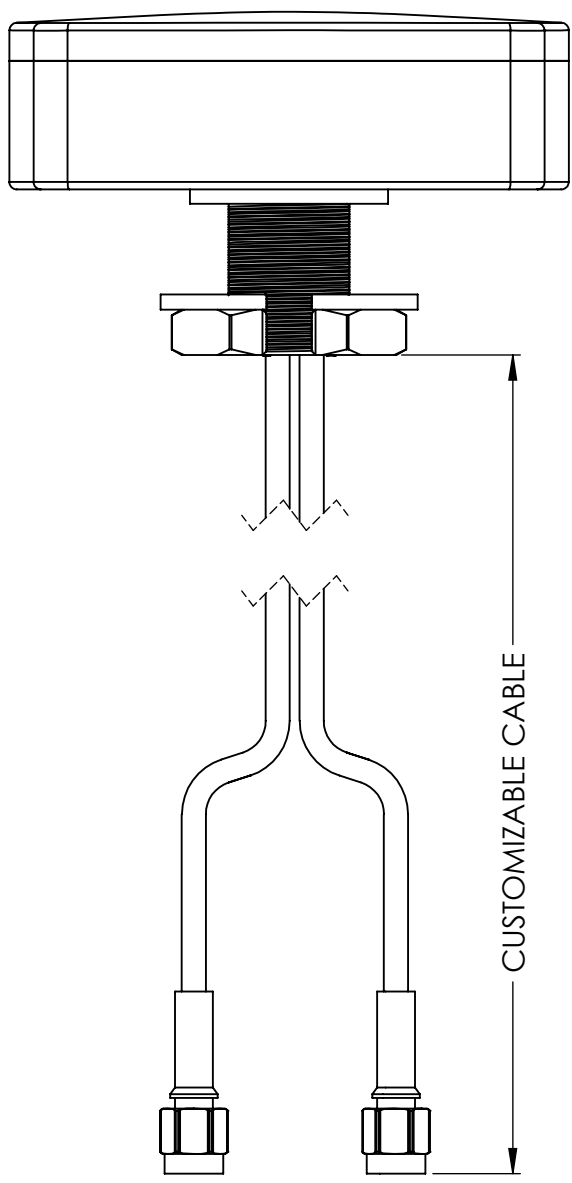
Mechanical Specifications

Antenna Dimensions	80 x 74 x 43 mm
Operating Temperature	-40 °C to +85 °C
Ingress Protection	IP67, IP69
Connector	SMA male
Antenna Color	Black, White
Radome Type	PC + ASA
Substance Compliance	RoHS
Cable Length	200 cm
Mounting style	Screw mount

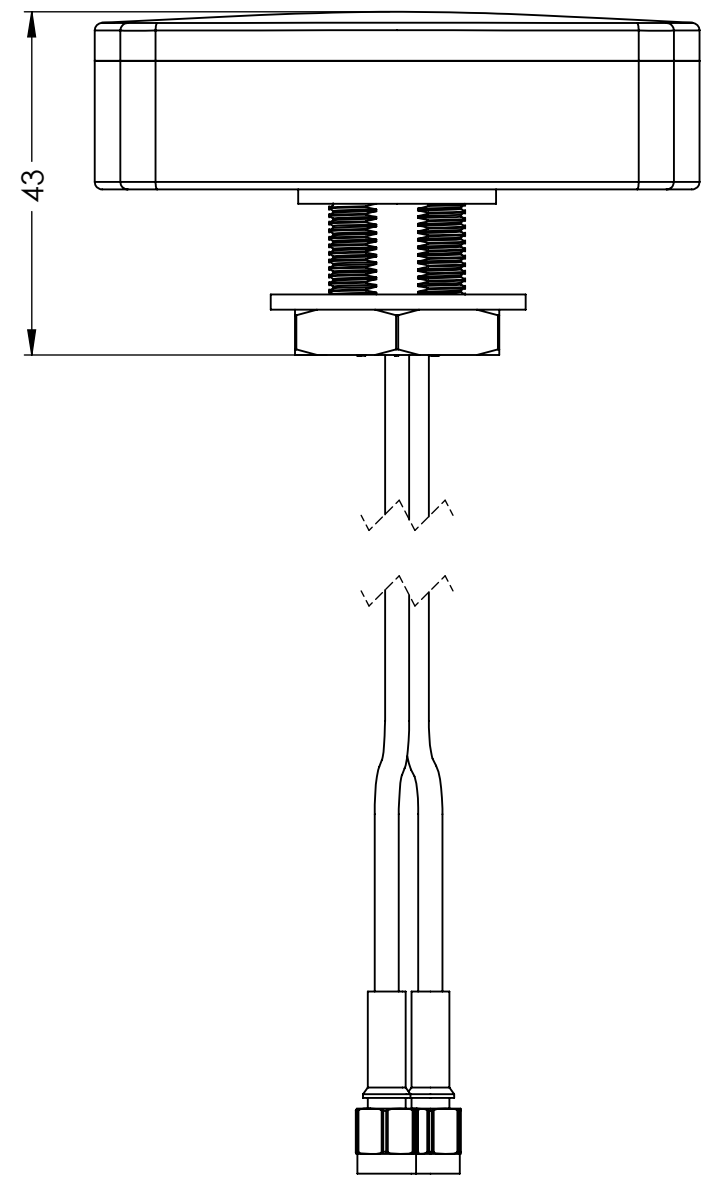
*Antenna Measurement Conditions:
Mounted on metal plate of 30x30cm



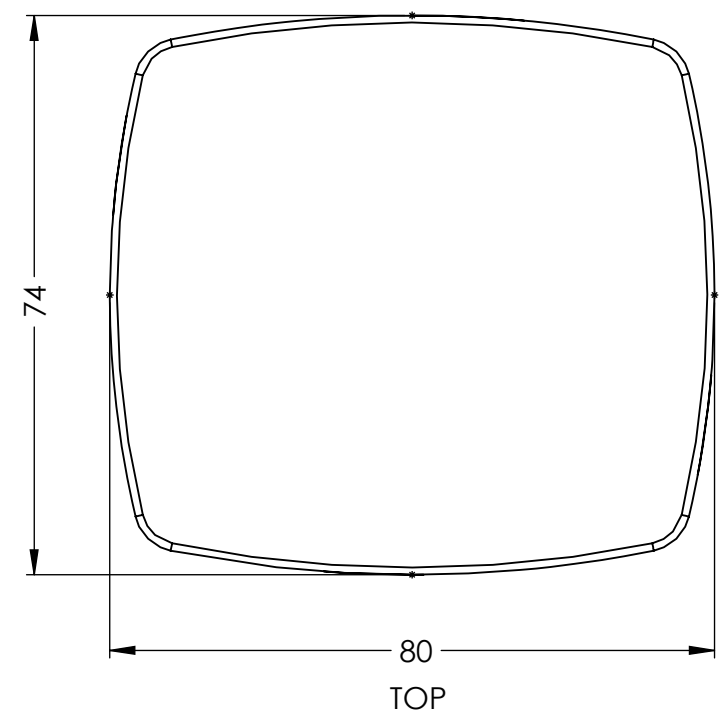
DRAWING REVISION HISTORY			
REV	DESCRIPTION	DATE	BY
A	INITIAL RELEASE	2021-03-19	QZ



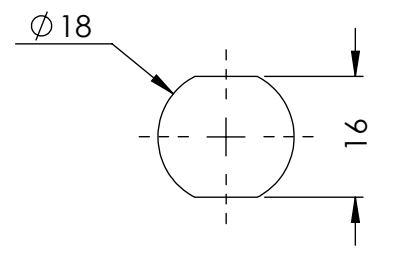
FRONT



RIGHT



TOP



MOUNTING HOLE

CUSTOMIZABLE CABLE

NOTES:

- FREQUENCY:
 - CABLE1 (CELLULAR/ LTE): 698-960; 1710-2170; 2500-2700 MHz
 - CABLE2 (2.4/ 5.0 GHz ISM): 2410-2490; 4920-5925 MHz
- CERTIFICATES: IP67, IP69
- RADOME TYPE: ABS UV STABLE
- RADOME COLOR: BLACK, WHITE
- CONNECTOR: SMA-MALE; RP-SMA-MALE STANDARD (OTHER CONNECTORS AVAILABLE)
- CABLE TYPE: D302 STANDARD (OTHER CABLES AVAILABLE)
- CABLE LENGTH: 300 CM STANDARD (ANY CABLE LENGTH AVAILABLE)
- OPERATING TEMPERATURE: -40 °C ~ 85 °C
- STORAGE TEMPERATURE: -40 °C ~ 85 °C

ITEM 189-00061 REVISION HISTORY			
REV	DESCRIPTION	DATE	BY
A	INITIAL RELEASE	2021-03-19	QZ

189-00061 CONFIGURATION TABLE			
DASH NO	RADOME COLOR	CABLE & LENGTH	CONNECTOR TYPE
-01	BLACK	CABLE 1 : D302, 3M; CABLE 2 : D302, 3M	SMA MALE

UNLESS OTHERWISE SPECIFIED:

DIMENSIONS ARE IN MM
TOLERANCES:
FRACTIONAL ±
ANGULAR: MACH ± .5° BEND ±
INTEGER ± 2
ONE PLACE DECIMAL ± 1.0
TWO PLACE DECIMAL ± .50
INTERPRET GEOMETRIC TOLERANCING PER:

THIRD ANGLE PROJECTION
DO NOT SCALE DRAWING

	NAME	DATE
DRAWN	QZ	2021-03-19
CHECKED	ZX	2021-03-22
ENG APPR.	NPC	2021-04-23
MFG APPR.		
Q.A.		

CAD MAINTAINED. CHANGES SHALL BE INCORPORATED BY THE DESIGN ACTIVITY.

MAXTENA, INC

TITLE: 189-00061 MEA-LW2-SM

SIZE B DWG. NO. 117-00428-01 REV A

CAGE CODE: 5KQH7 SCALE: NONE SHEET 1 OF 1

PROPRIETARY AND CONFIDENTIAL
THE INFORMATION CONTAINED IN THIS DRAWING IS THE SOLE PROPERTY OF MAXTENA, INC. ANY REPRODUCTION IN PART OR AS A WHOLE WITHOUT THE WRITTEN PERMISSION OF MAXTENA, INC IS PROHIBITED.