



MEA-915-SM

External 915MHz ISM Band Antenna

Part #: 100-00156-01



Description

The MEA-915-SM is a high gain & efficiency antenna to be used for 915MHz wireless applications. This external mount rugged antenna is ideal for high performance outdoor or indoor applications. It is designed for IOT, Telematics and remote metering mesh installations and systems. The high efficiency and gain along with the omni-directional properties provide this antenna a consistent and stable long range connectivity with high throughput data to devices for 915MHz needs. The antenna housing consist of black UV resistant rugged plastics and a heavy-duty metal base for optimal installations. The cable & connector are customizable.

Electrical Specifications

Parameter	Specification
Frequency Range	902-928MHz
Gain	3-5 dBi
V.S.W.R	≤ 2.5:1
Radiation	Omni-Directional
Polarization	Vertical
Maximum Input Power	50W
Impedance	50 Ω

Features

- 915MHz frequencies
- IP67 rated
- High gain & efficiency
- Custom cable & connector options

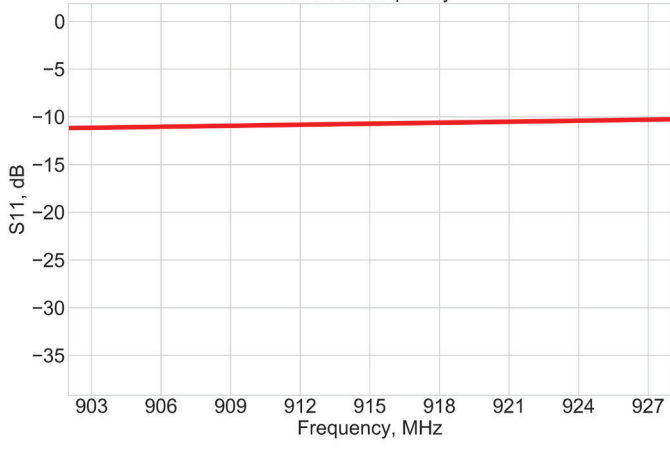
Mechanical Specifications

Parameter	Specification
Antenna Dimensions	Φ 48 x 82 mm
Weight	160 g
Operating Temperature	-40 °C to +70 °C
Antenna Radome Material	ABS
Connector	SMA Male
Cable Type	RG58U
Cable Length	3M
Mount Type	Screw
Antenna Color	Black
ROHS Compliant	Yes

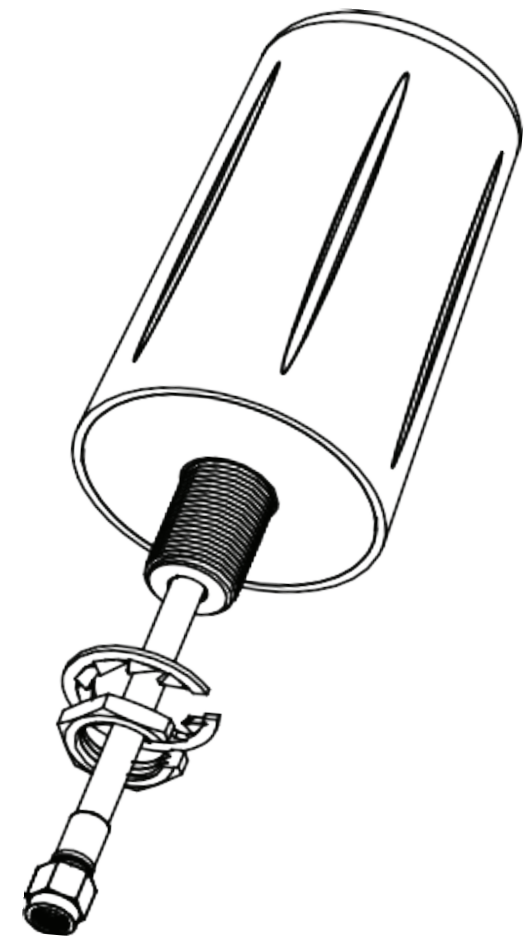
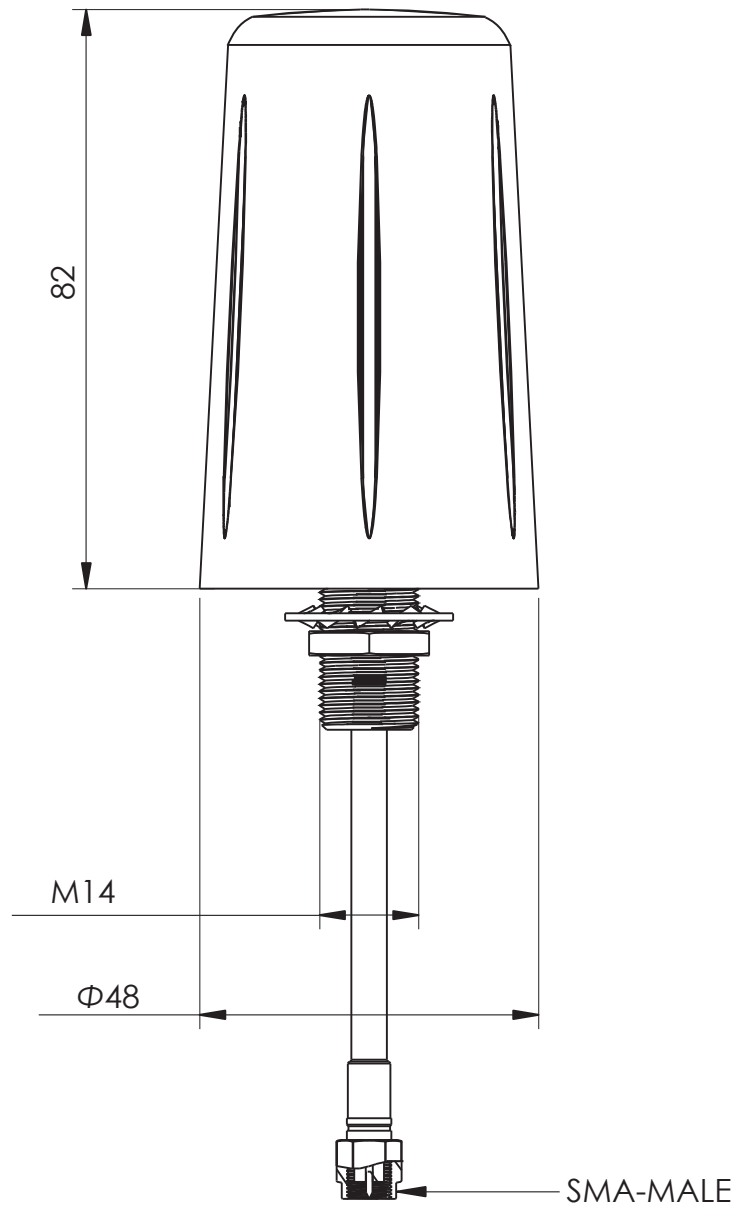
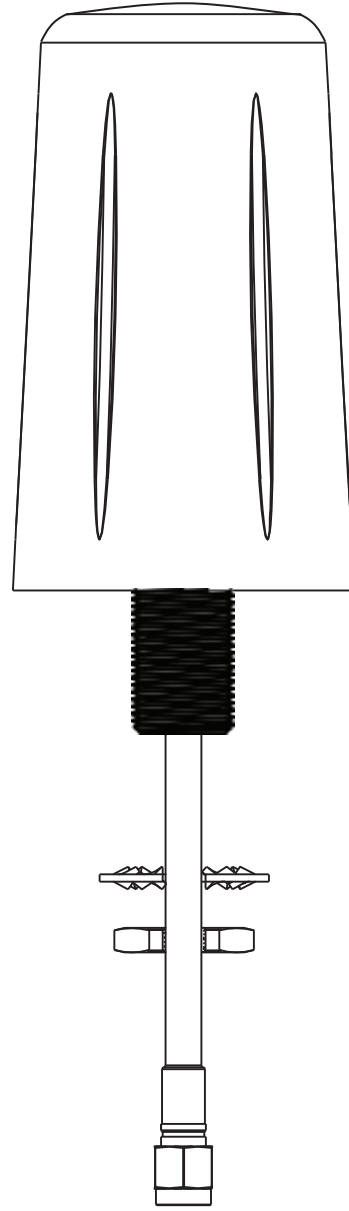
Applications

- Remote mesh networks
- Smart meters
- IOT
- Public Safety

S11 vs. Frequency



DRAWING REVISION HISTORY			
REV	DESCRIPTION	DATE	BY
A	INITIAL RELEASE	2020-12-11	QZ



NOTES:

1. FREQUENCY: 902-928MHz
2. GAIN: 3~5dBi
3. V.S.W.R: ≤2.5
4. CONNECTOR: SMA-MALE
5. IMPEDANCE: 50 Ω
6. TEMPERATURE: -40 °C TO +70 °C
7. INPUT POWER: 50W
8. WEIGHT: 160g

ITEM 100-00156-01 REVISION HISTORY			
REV	DESCRIPTION	DATE	BY
A	INITIAL RELEASE	2020-12-11	QZ

PROPRIETARY AND CONFIDENTIAL

THE INFORMATION CONTAINED IN THIS DRAWING IS THE SOLE PROPERTY OF MAXTENA, INC. ANY REPRODUCTION IN PART OR AS A WHOLE WITHOUT THE WRITTEN PERMISSION OF MAXTENA, INC IS PROHIBITED.

UNLESS OTHERWISE SPECIFIED:	NAME	DATE
DIMENSIONS ARE IN MM	DRAWN	QZ 2020-12-11
TOLERANCES:	CHECKED	ZX 2020-12-11
FRACTIONAL ±	ENG APPR.	NPC 2020-12-11
ANGULAR: MACH ± 0.5° BEND ±	MFG APPR.	
INTEGER ± 2	Q.A.	
ONE PLACE DECIMAL: ± 1.0		
TWO PLACE DECIMAL: ± 0.50		
INTERPRET GEOMETRIC TOLERANCING PER:		
	CAD MAINTAINED. CHANGES SHALL BE INCORPORATED BY THE DESIGN ACTIVITY.	
THIRD ANGLE PROJECTION		
DO NOT SCALE DRAWING		

MAXTENA, INC		
TITLE: 100-00156-01 MEA-915-SM		
SIZE	DWG. NO.	REV
B	117-00378-01	A
CAGE CODE: 5KQH7	SCALE: NONE	SHEET 1 OF 1

8 7 6 3 2 1

D
C
B
A

D
C
B
A

8 7 6 5 4 3 2 1