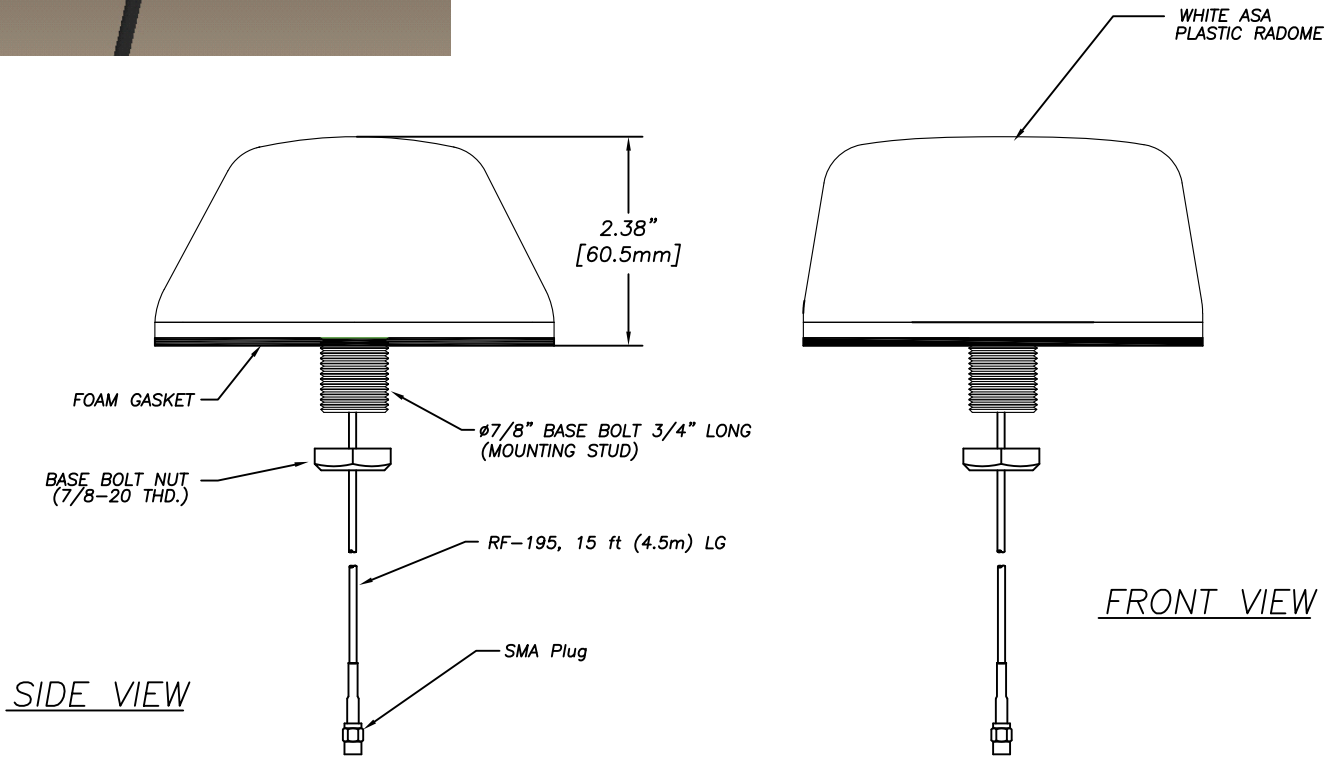
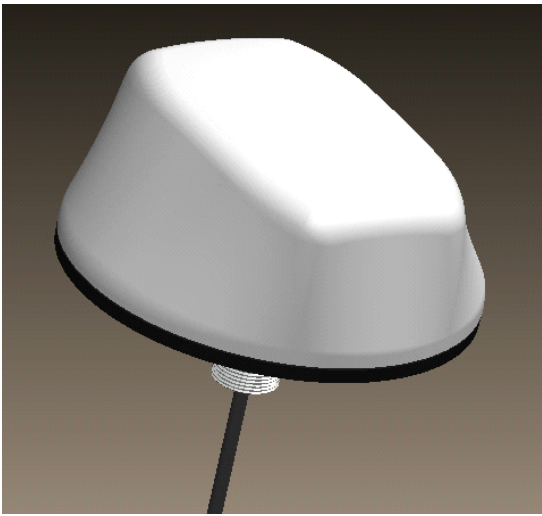


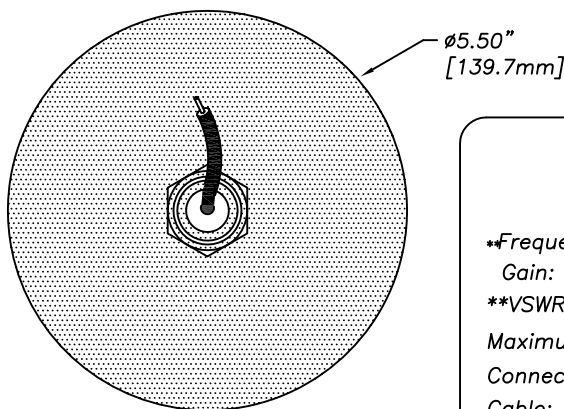
LTM101-3C-WHT-180

UHF Surface Mount Antenna 420-470 MHz



SIDE VIEW

FRONT VIEW



BOTTOM VIEW



Antenna Specifications

- *Frequency: 420–470 MHz
- Gain: 3 dBi
- **VSWR: < 2:1 VSWR over range
- Maximum Power: 60 Watts
- Connectors/Interface: SMA Plug
- Cable: 15 ft (4.5m), RF-195
- Case: 5.50" (139.7mm) Dia. x 2.38" (60.5mm) High
- Radome Material: ASA (UL 94, IEC60707)
- Impedance: 50 OHM Nominal
- Mounting: 7/8" (22.2mm) Dia. Feed through.
3/4" lg (19mm). thread for up to
1/4" (6.4mm) thick surface
- Operating Temperature: -40° to +80° C
- IP Rating: IP67

** Gain and VSWR measured with 1 ft cable on 1 ft Ground Plane

RP	8/25/16	A
----	---------	---

MobileMark
antenna solutions

US OFFICE & HEADQUARTERS: 1140 W. THORNDALE AVE. ITASCA, IL 60143
TEL: (847) 671-6690 * FAX (847) 250-5120

UK OFFICE: 8 MIRAS BUS PARK, KEYS PARK ROAD. HEDNESFORD WS12 2FS, UK.
UK TEL: (+44) 1543-459555 FAX (+44) 1543-459545