

Survey GNSS Antenna HX-CS3607A

Harxon
a *BDStar* company

HIGH PRECISION GNSS ANTENNA FOR SURVEYING APPLICATIONS



HIGH PHASE CENTER STABILITY

HX-CS3607A features a multi-point feeding design to achieve greater phase center stability. It effectively improves measurement accuracy and provides better positioning solutions.

TRACKING IN CHALLENGING ENVIRONMENTS

The ability to receive low elevation signals with high gain and wide beam width makes HX-CS3607A an excellent choice for tracking visible satellites under challenging conditions, providing the positioning solutions with precision and reliable data. It can be widely used in GNSS surveying applications where high precision is needed, such as obstructed environment of tree lines or construction.

STRONG ANTI-INTERFERENCE PERFORMANCE

The antenna LNA features an excellent out-of-band rejection performance, which can suppress the electromagnetic interference, providing the stability and reliability of GNSS signals. Also it effectively avoids disconnection dangerous when receivers are operated under complex electromagnetic environments such as communication base station applications or urban area.

DURABLE, EASY-INSTALLATION DESIGN FOR PRECISION APPLICATIONS

Its compact and lightweight design, making HX-CS3607A highly portable and suitable for outdoor operating in precision applications. The patented waterproof and breathable design, durable enclosure has been proven to sustain the harsh conditions by meeting IP67, easily protecting HX-CS3607A from dust and water for quite a long time.

KEY FEATURES

- Support GPS, Glonass, Galileo, Beidou, QZSS and SBAS signal reception
- Stable phase center guarantees the accuracy of positioning within millimeter-level
- Strong anti-interference ability to endure the challenging operating environments
- Small form factor with IP67 ruggedized structure

Survey GNSS Antenna HX-CS3607A

Harxon
a *BDStar* company

PERFORMANCE

Signal Received

GPS	L1
GLONASS	L1
GALILEO	E1
BDS	B1
QZSS	L1
SBAS	L1

Nominal Impedance 50Ω

Polarization RHCP

Axial Ratio ≤3dB

Gain at Zenith (90°)

1164-1300MHz	5.5dBi(maximum)
1520-1615MHz	5.5dBi(maximum)

LNA Gain 40dB(typical)

Noise Figure ≤2dB

Output/Input VSWR ≤2.0

Operation Voltage +3.3VDC to +12VDC

Operation Current 35mA(maximum)

Group Delay Ripple <5ns

MECHANICAL

Dimensions $\phi 152*62.2$ mm

Connector TNC female

Weight ≤400g

Mounting BSW5/8"-11 screw, 12-14mm

ENVIRONMENTAL

Temperature

Operating -40°C to +85°C

Storage -55°C to +85°C

Humidity 95% non-condensing

Water/Dust Resistance IP67

Regulatory Compliance CE

For the most recent details of this product:
<http://en.harxon.com/products-detail.php?Prolid=48>

en.harxon.com

sales@harxon.com

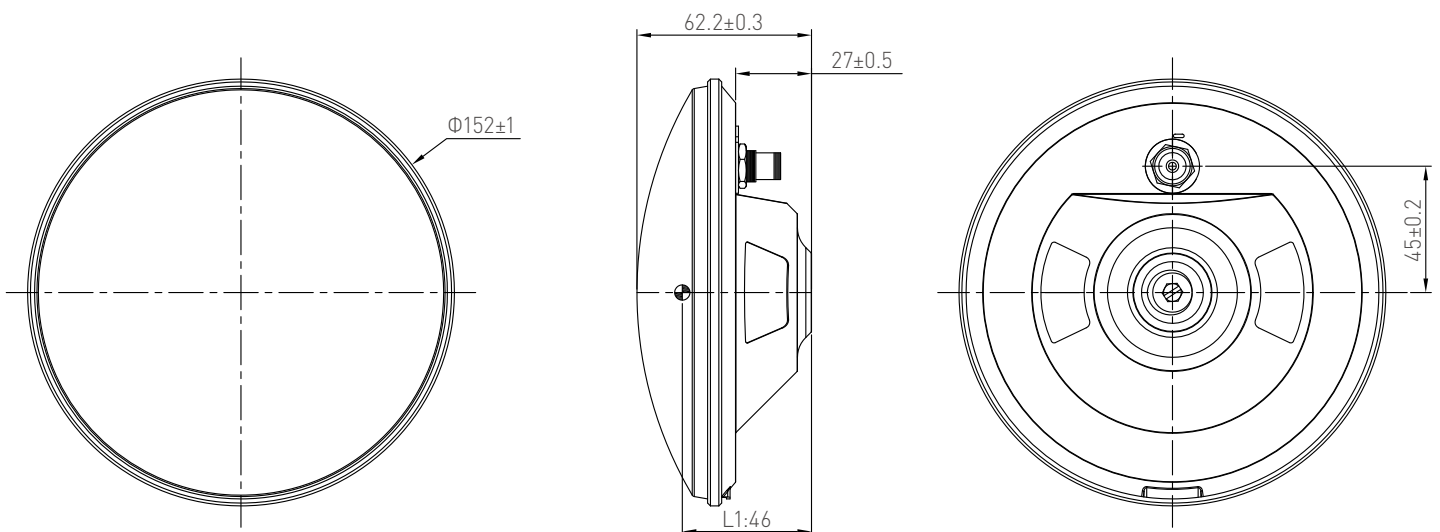
9/F, Block B, Building D3, TCL International
E City, NO.1001 Zhongshanyuan Road,
Nanshan District, Shenzhen, China

Tel: +86-755-26989948

Fax: +86-755-26989994

Version 2 Specifications subject to change without notice.
©2020 Harxon Corporation. All rights reserved.
Printed in China
December 2019

Structure& Phase Center Drawing (mm)



TOP VIEW

SIDE VIEW

BOTTOM VIEW

Undeclared tolerance: ± 0.3 mm