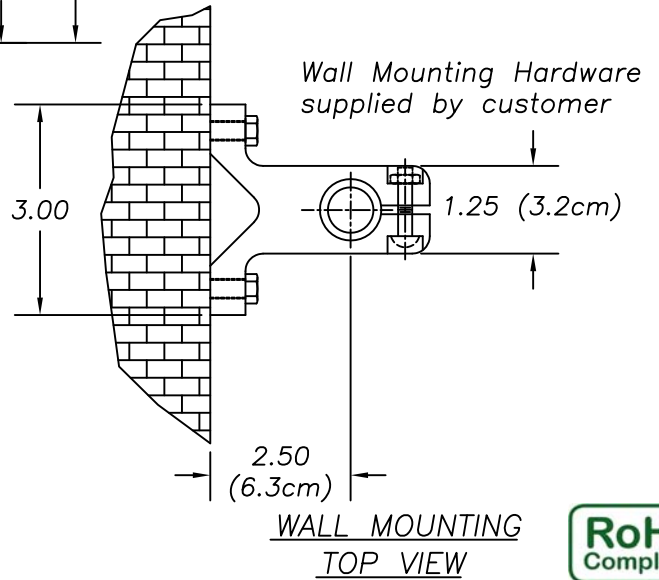
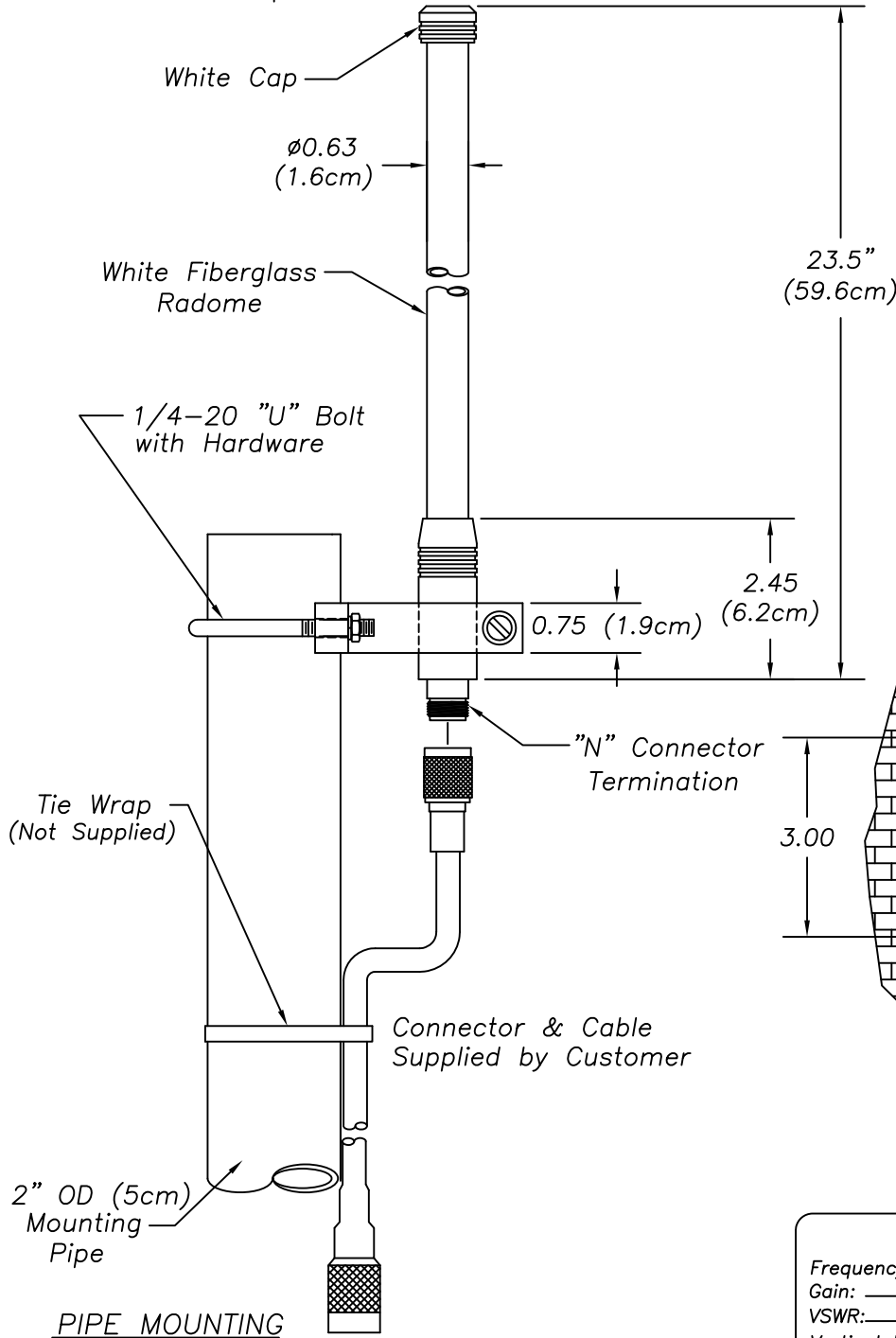
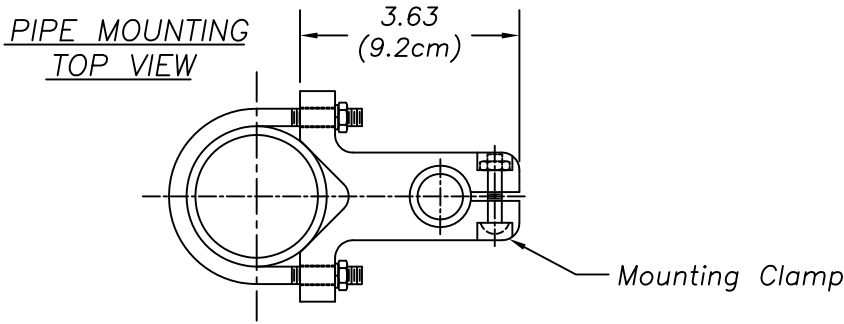
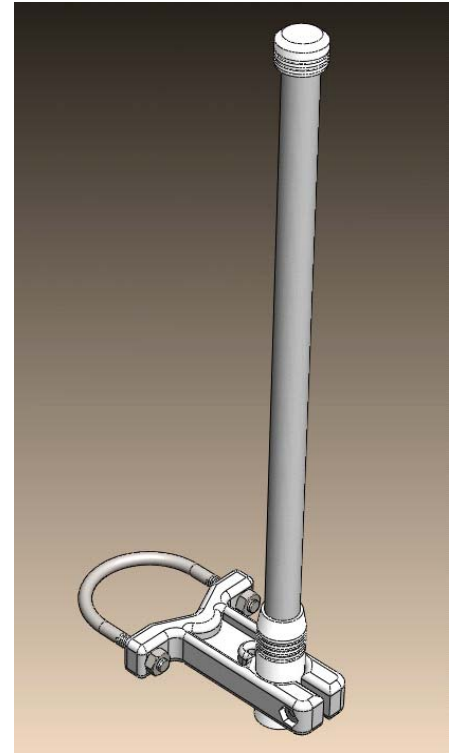


# ECO5-915-WHT

## Omni Directional Antenna

### 5 dBi with Mounting Kit

### 902 - 928 MHz



#### Antenna Specifications:

Frequency:	902 - 928 MHz
Gain:	5 dBi
VSWR:	2:1 Max
Vertical Beamwidth (-3 dB)	22 degrees
Radome Material:	White Fiberglass
Nominal Impedance:	50 OHM Nominal
Maximum Power:	10 Watts
Connector:	"N" Female Termination
Lightening Protection:	External Recommended
Mount: (Mount Kit included)	Mounts up to 2" OD Pipe,
Weight (with mount):	5 oz.
Temperature:	-40C to +80C
Wind Survivability:	100 mph minimum
	100 mph with 1/2" radial ice

**MobileMark**  
antenna solutions

US OFFICE & HEADQUARTERS: 1140 W THORNDALE AVE, ITASCA, IL 60143  
TEL: (847) 671-6690 \* FAX (847) 671-6715

UK OFFICE: 8 MIRAS BUS PARK, KEYS PARK ROAD, HEDNESFORD WS12 2FS, UK.  
UK TEL: (+44) 1543-459555 FAX (+44) 1543-459545

VISIT OUR WEBSITE AT WWW.MOBILEMARK.COM

12/5/16 A