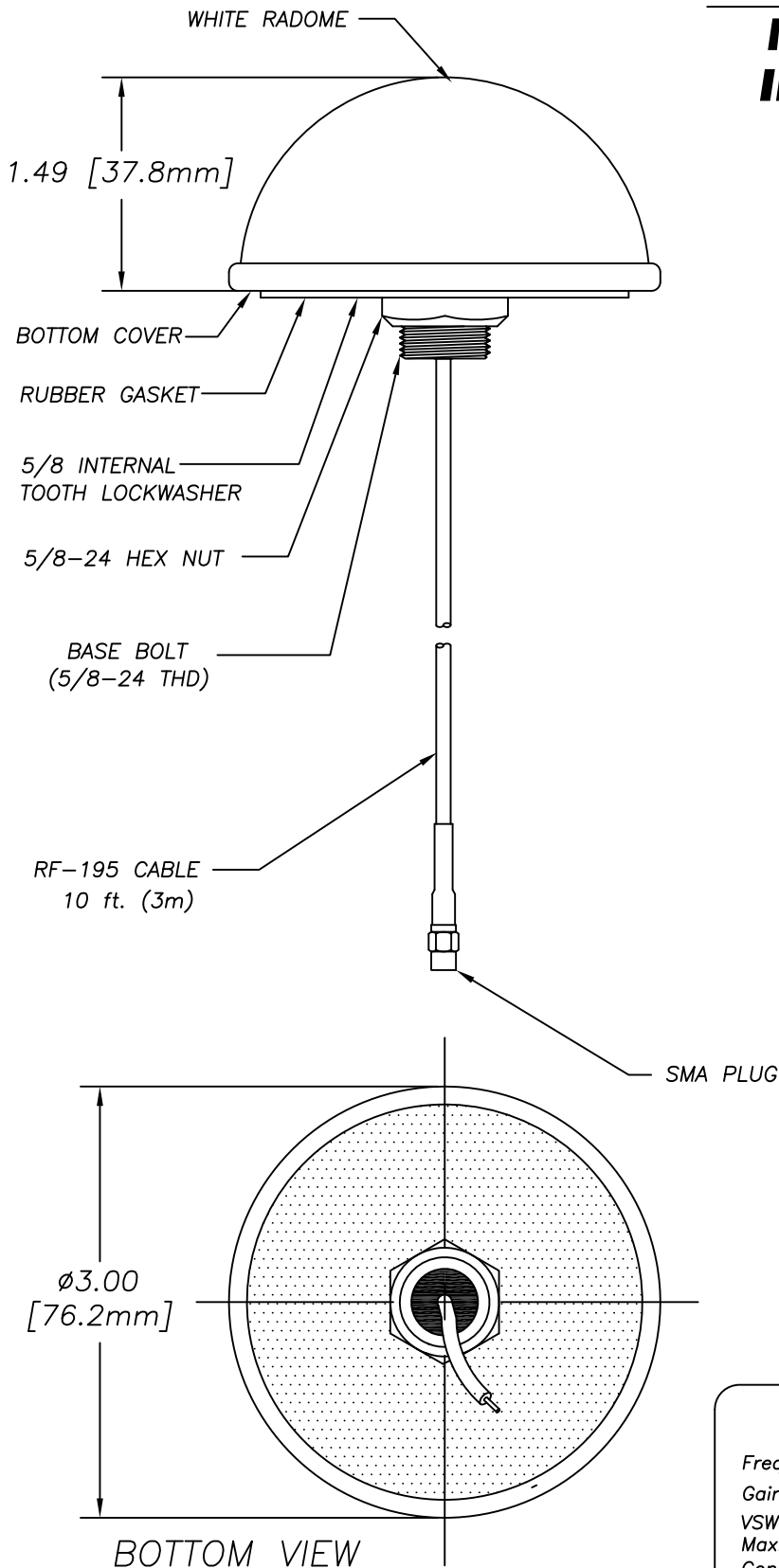


DM-1620-3C-WHT-120

Mobile Satellite Antenna
Iridium® 1616-1626.5 MHz
Iridium® Approved



Antenna Specifications:

Frequency: ————— 1616–1626.5 MHz (Iridium)
Gain: ————— 3.5 dBi (Iridium)
VSWR: ————— < 2.0:1
Maximum Power: ————— 10 Watts
Connector/Interface: — SMA Plugs
Radome Material: — ASA UV Inhibitive Plastic, Black or White
Cable ————— cable 1 — RF-195, 10 ft [3m] Iridium (1616–1626.5 MHz)
Impedance: ————— 50 OHM Nominal
Mounting: ————— 5/8" (15.8mm) Dia. Feed through.
Thread up to 7/32" thick (5.3mm) metal
Polarization: ————— RHCP (Iridium)
Hardware: ————— Lock Nut and Gasket included
Protection Class: ————— IP67
Operating Temperature: —40° to +85° C

* Antenna typically mounts on 12" (30.5cm) X 12" (30.5cm) groundplane 12/15/16

MobileMark
antenna solutions

US OFFICE & HEADQUARTERS: 1140 W THORNDALE AVE. ITASCA, IL 60143
TEL: (847) 671-6690 * FAX (847) 250-5120

UK OFFICE: 8 MIRAS BUS PARK, KEYS PARK ROAD. HEDNESFORD WS12 2FS, UK.
UK TEL: (+44) 1543-459555 FAX (+44) 1543-459545

VISIT OUR WEBSITE AT WWW.MOBILEMARK.COM