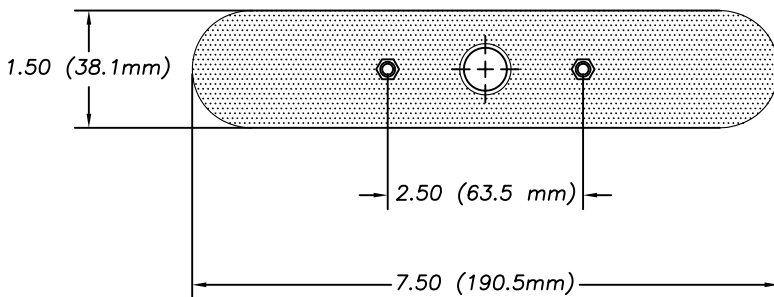
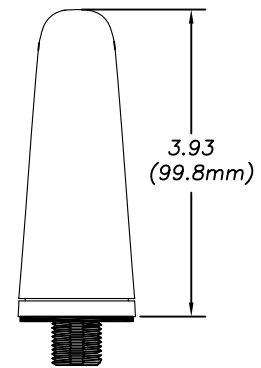
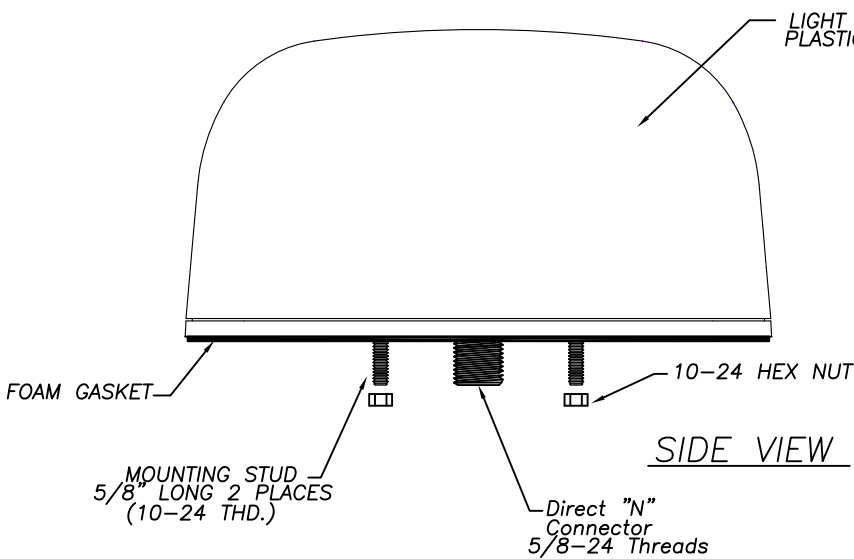


BD-5800-GRY

Bi-Directional WiFi Antenna 13dBi, 5.725-5.85 GHz



Antenna Specifications:

Frequency:	5.725-5.85 GHz
Gain:	13 dBi Bi-Directional
Azimuth B.W.:	40°
Elevation B.W.:	30°
Electrical Tilt B.W.:	0° on no ground plane 7° max. uptilt on ground plane
Impedance:	50 OHM Nominal
VSWR:	< 2:1 VSWR over range
Maximum Power:	10 Watts
Connectors/Interface:	Direct "N" Jack
Case:	7.50" lg x 1.50" Wide. x 3.93" High
Radome Material:	Light Grey UV Inhibitive Plastic
Mounting:	5/8" dia. feed through diameter 5/8" lg. thread "N" connector for mounting up to a .20" thick surface
Operating Temperature:	-40° to +80° C
Shock & Vibration:	Pending
Dust/Water Ingress:	IPx7

** Ground Plane Independent

All specifications subject to change

MobileMark

antenna solutions

US OFFICE & HEADQUARTERS: 1140 W. THORNDALE AVE. ITASCA, IL 60143
TEL: (847) 671-6690 * FAX (847) 250-5120

UK OFFICE: 8 MIRAS BUS PARK, KEYS PARK ROAD. HEDNESFORD WS12 2FS, UK.
UK TEL: (+44) 1543-459555 FAX (+44) 1543-459545

VISIT OUR WEBSITE AT WWW.MOBILEMARK.COM



TC 8/9/16 A