

2J6926B

IRIDIUM Screw Mount

Key Features

IRIDIUM

- 1616-1627 MHz

Screw Mount

Low Profile

High Gain

Anti-Rotation Mechanism

Ground Plane Independent

Customizable Cable and Connector

Dimensions 80 × 74 × 25.6 mm

Certificates: IP67, IP69



1. Antenna and electrical specifications

Cable 1

Parameters	Iridium Antenna
Standards	Iridium
Band (MHz)	1621
Frequency (MHz)	1616-1627
Return Loss (dB)	~-12.5
VSWR	~1.6:1
Efficiency (%)	~76.6
Peak Gain (dBic)	~4.5
Average Gain (dB)	~-1.2
Radiation Pattern	Hemispherical
Polarization	RHCP
Connector Type	SMA-Male Standard (Other Connectors Available)
Cable Length	300 cm Standard (Any Cable Length Available)
Cable Type	LL195 Standard (Other Cables Available)

Antenna Measurement Conditions:

Mounted on Metal Plate of 70 x 70 mm

200 mm of Cable LL195

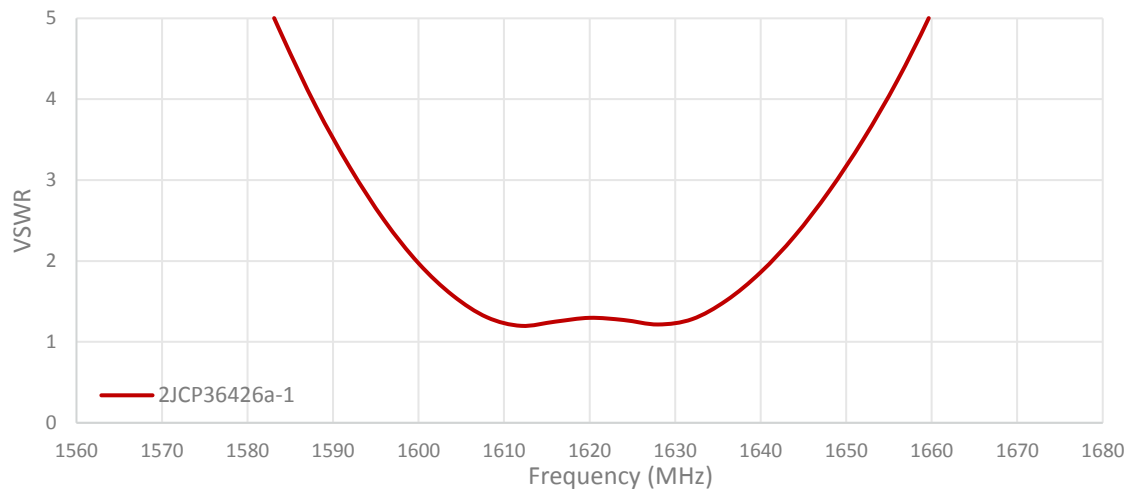
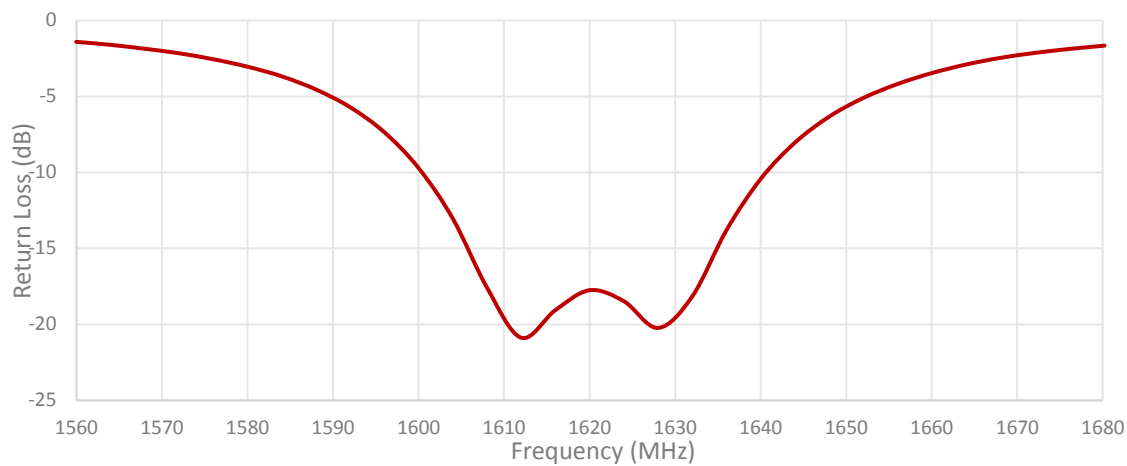
Measured in Certified CTIA 3D Anechoic Chamber

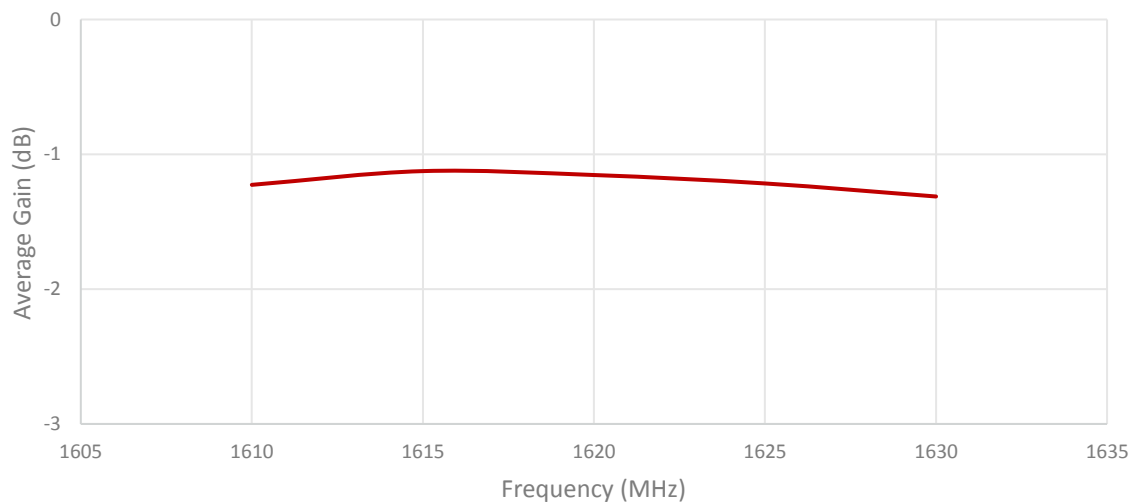
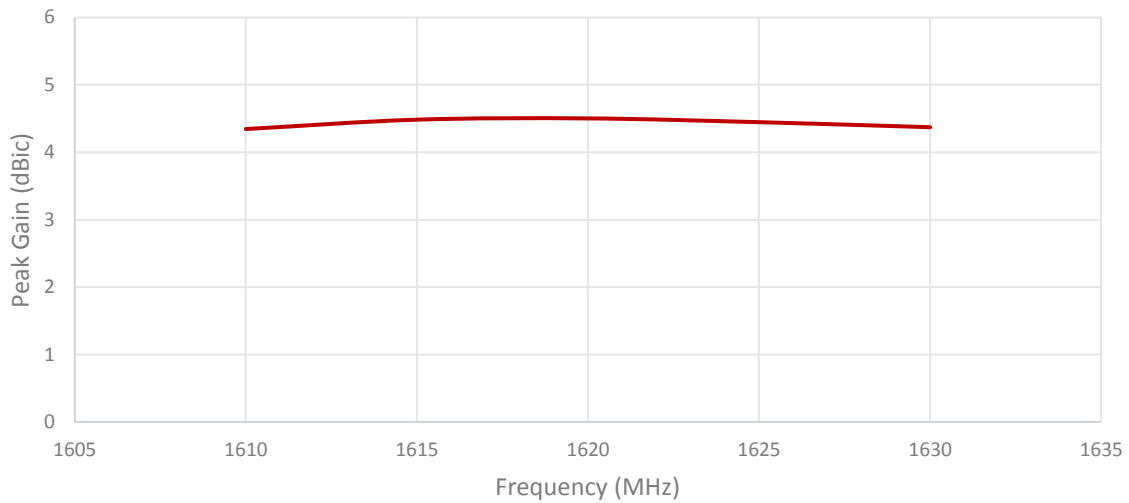
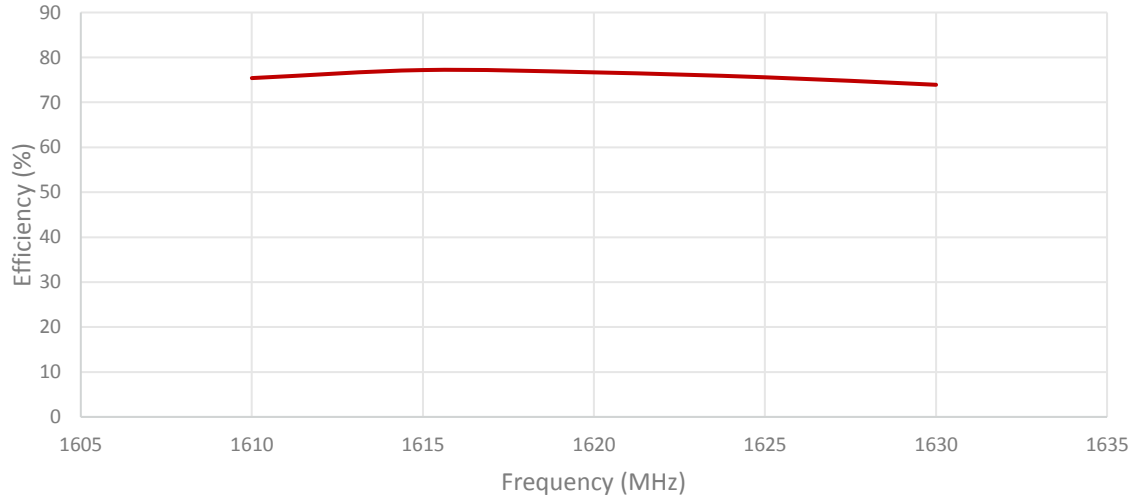
2. Mechanical and environmental specifications

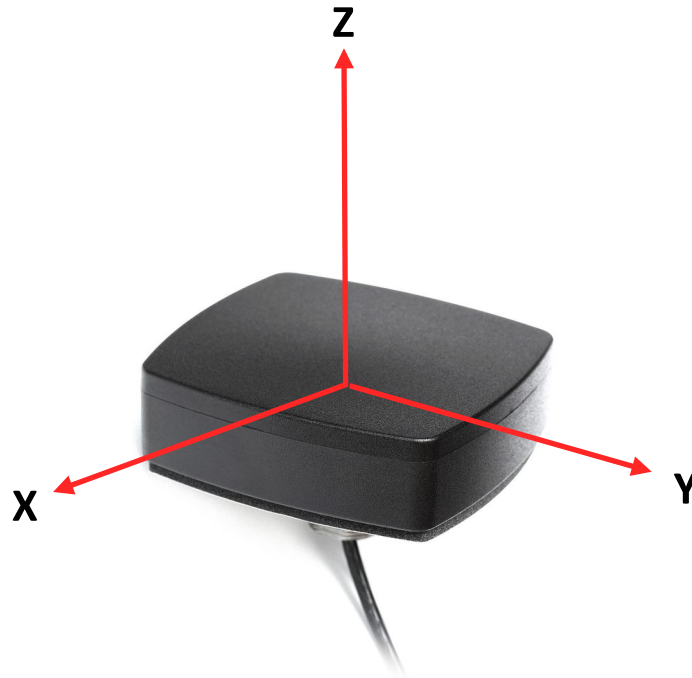
Specifications	2J6926B
Mounting Type	Screw Mount
Dimensions (mm)	80 x 74 x 25.6
Radome Type	ABS UV Stable
Radome Color	Black, White
Operating Temperature (C)	-40 to +85
Storage Temperature (C)	-40 to +85
Substance Compliance	RoHS
Certificates	IP67, IP69

3. Antenna parameters

Cable 1: IRIDIUM

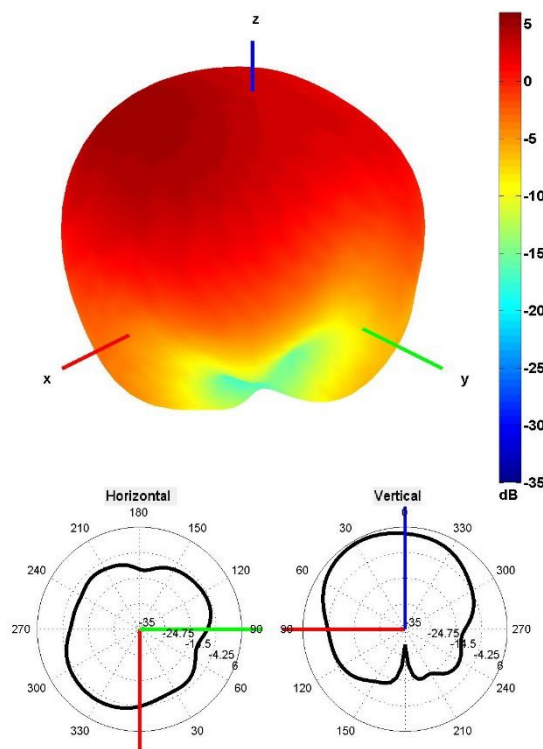






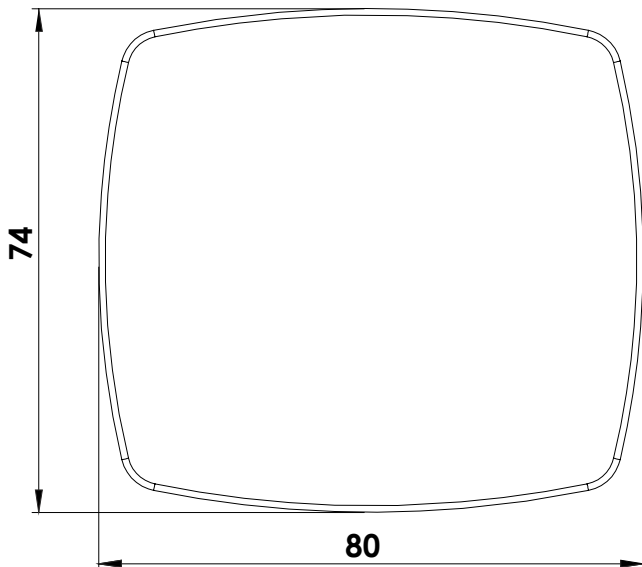
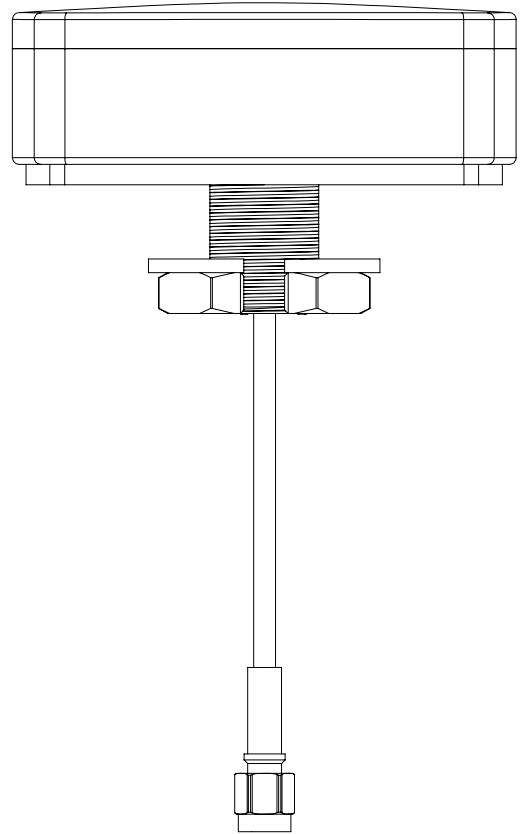
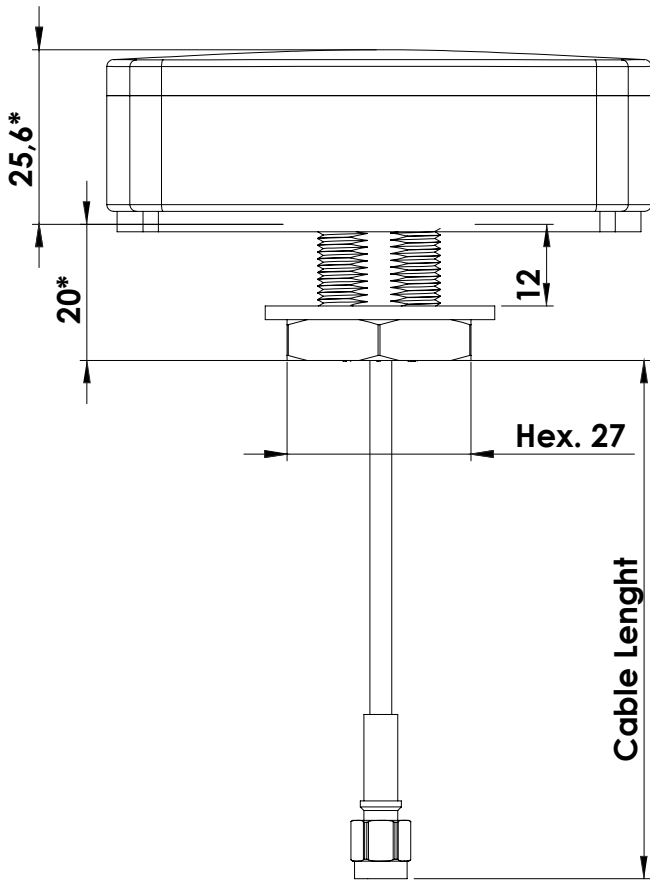
Radiation pattern reference

Cable 1: IRIDIUM

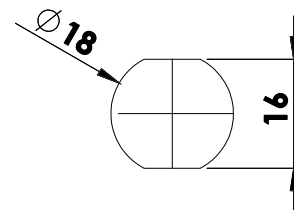


1621 MHz Radiation pattern

4. Antenna drawings



Mounting hole



Max. mounting thickness 12mm

* Dimensions after mounting

5. Antenna Images

