



2J6026M

(DATASHEET)

Type	Iridium antenna
Frequencies	IRIDIUM (1.616 - 1.626 GHz)
Mounting	Magnetic Mount
Revision	00



A handwritten signature in black ink, appearing to read 'Tipul'.

P. Tipul

1. SPECIFICATION

1.1. Electrical Specifications

Frequencies	IRIDIUM (1.616 - 1.626 GHz)
Impedance	50Ohms
Polarization	RHCP
Gain	3dBiC
VSWR	<1.5:1
Operating temperature	-40°C to +85°C

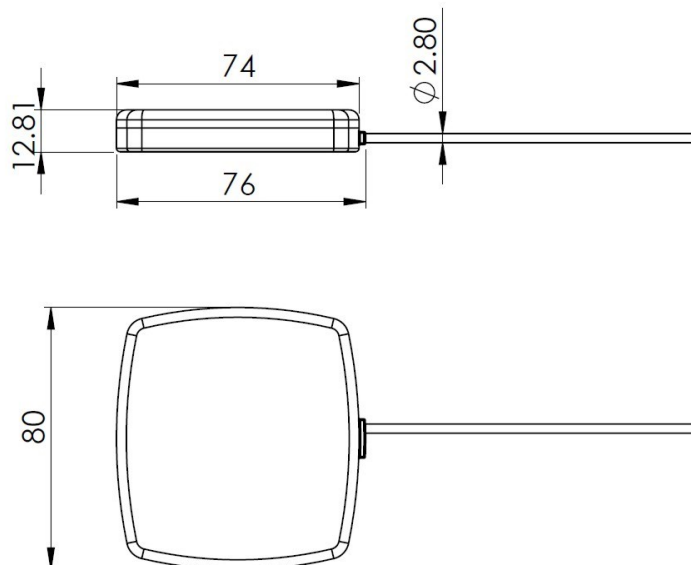
1.2. Connection Specifications

Connector type: SMA
 Cable: LMR100
 Cable length: 150 cm

For different cable length and connector type ask our sales team.

1.3. Mechanical Specifications and Dimensions

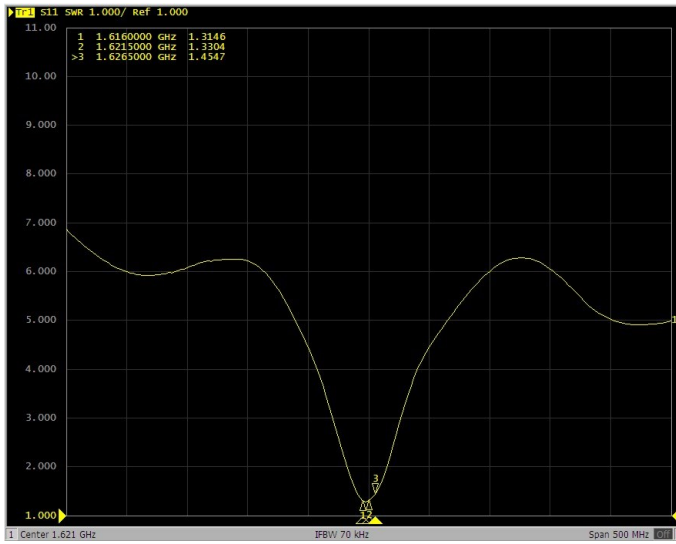
Material:
 Max. dimensions: 12.81mm x 80mm x 76mm (H x L x W)
 Weight: 70 g 'weight counted with cable above'
 Colour: Black (for different colours please ask our sales team)



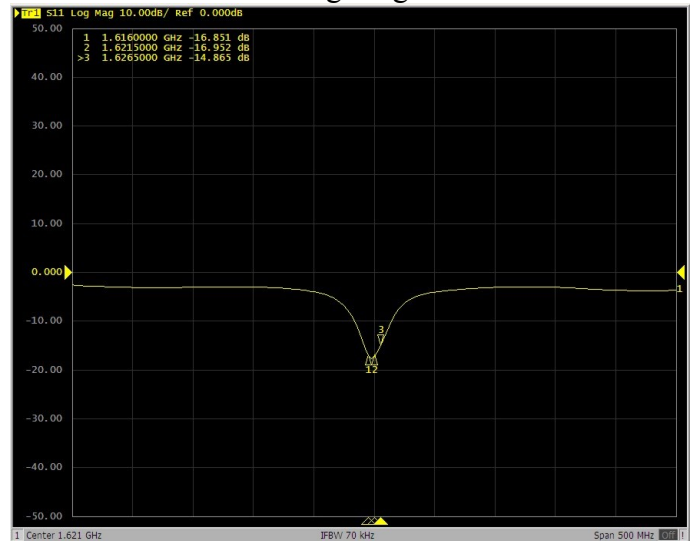
2. MEASUREMENT

- Tested with 40cm Microcoax 1.13 and UF.L on ground-plane 20x20cm.

VSWR



Log Mag



3. IMAGES

