

2J6026B

Iridium only - screw mount

1. Key Features

Cable 1: Iridium only

- 1.616 - 1626 GHz

Screw Mount

Low Profile

Ground Plane Independent

Customizable Cable and Connector

Dimensions 80 x 74 x 14.7 mm

Certificates: IP67





2. Electrical Specification

1.1. Electrical Specifications

Frequencies	IRIDIUM (1.616 - 1.626 GHz)
Impedance	50Ohms
Polarization	RHCP
Gain	3dBiC
VSWR	<1.5:1
Operating temperature	-40°C to +85°C

1.2. Connection Specifications

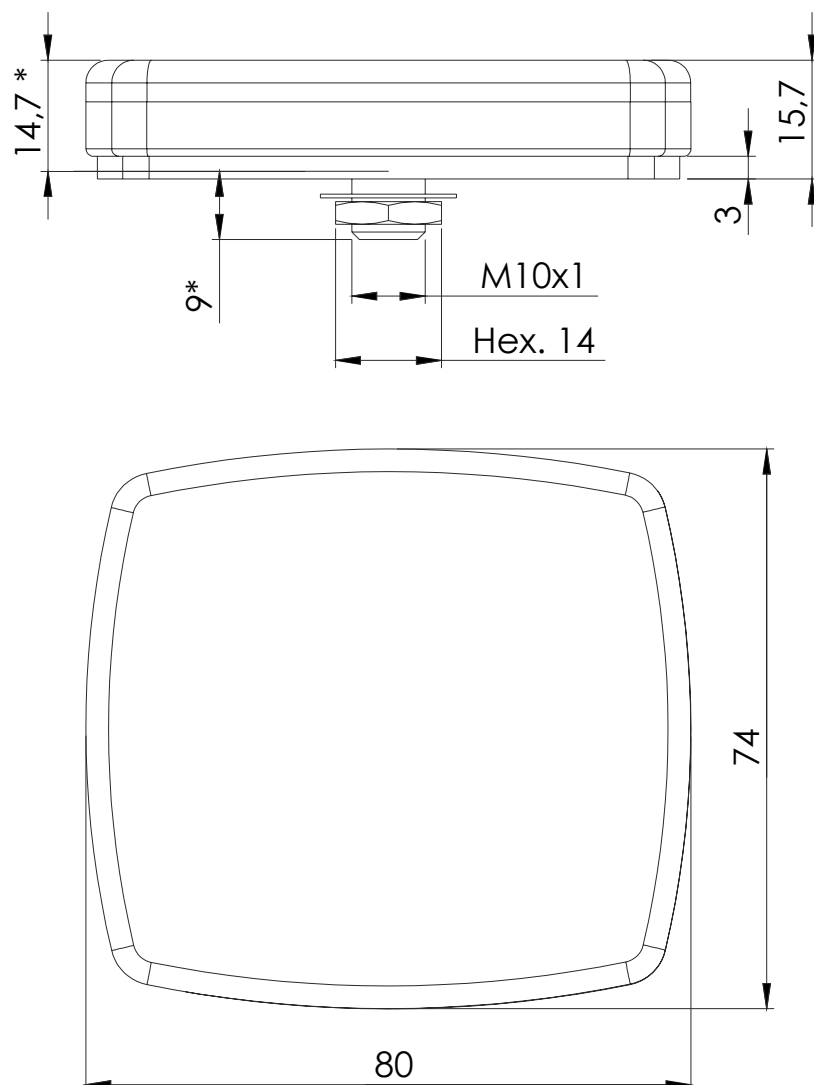
Connector type:	SMA
Cable:	LMR100 or DACAR302
Cable length:	50 cm

For different cable length and connector type ask our sales team.

3. Mechanical Specification

Mounting Type	Screw Mount
Dimensions (mm)	80 x 74 x 14.7mm
Radome	ABS
Radome color	Black
Operating Temperature (C)	-40 to +85
Storage Temperature (C)	-40 to +85
Substance Compliance	RoHS
Certificates	IP67

4. Antenna drawings



* Dimensions after mounting

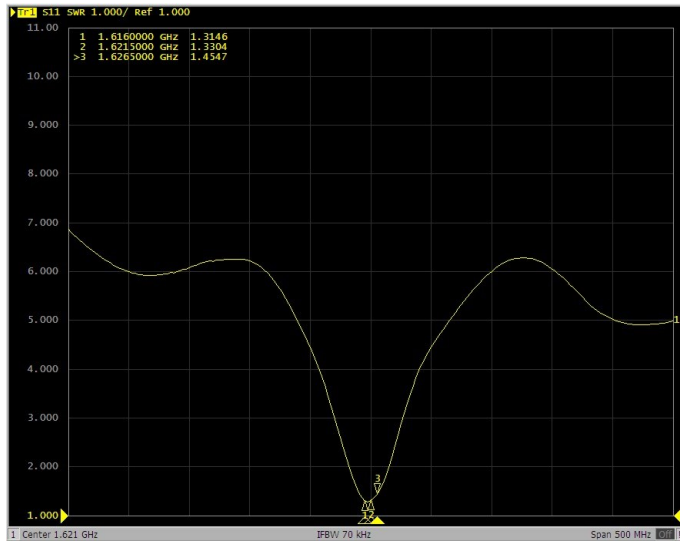
5. Antenna Images



6. MEASUREMENT

- Tested with 40cm Microcoax 1.13 and UF.L on ground-plane 20x20cm.

VSWR



Log Mag

