



# Trimble AV39 Antenna

TSO CERTIFIED ANTENNA FOR AIRBORNE MAPPING AND SURVEYING APPLICATIONS

The Trimble AV39 antenna is a lightweight, TSO certified antenna. It provides centimeter precision with superior phase center repeatability.

## COMPREHENSIVE GNSS SUPPORT

The Trimble AV39 antenna offers full support for current and near-future GNSS signals including GPS, GLONASS, Galileo, BeiDou, QZSS, IRNSS, OmniSTAR, Trimble RTX and SBAS.

## ROBUST, LOW-MULTIPATH GPS ANTENNA

Mapping and surveying from the air using GNSS requires survey grade antenna technology in a compact and reliable form factor. The Trimble AV39 antenna achieves high precision and accuracy without compromising on weight and size.

## Key Features

- ▶ Comprehensive GNSS support including GPS modernization signals, GLONASS, BeiDou, Galileo, QZSS and IRNSS
- ▶ TSO certified for airborne installations
- ▶ Low-profile design and ARINC 743 Footprint
- ▶ SBAS, L-Band support
- ▶ Iridium interference protection



# Trimble AV39 Antenna

## TECHNICAL SPECIFICATIONS

- Comprehensive GNSS Tracking:
  - GPS: L1, L2, L5
  - GLONASS: L1, L2, L3
  - Galileo: E1, E5a, E5b
  - BeiDou: B1, B2
  - QZSS: L1, L2, L5
  - IRNSS: L5
  - SBAS: WAAS, EGNOS, GAGAN, and MSAS
  - MSS: OmniSTAR, Trimble RTX
- Quality signal tracking
- TNC female signal connector
- Small cross-sectional area to reduce aerodynamic drag
- Integral low noise amplifier
- Powered by GNSS receiver via coaxial cable
- High gain for reliable tracking in difficult environments
- FAA certificate supplied with each antenna
- Iridium interference protection

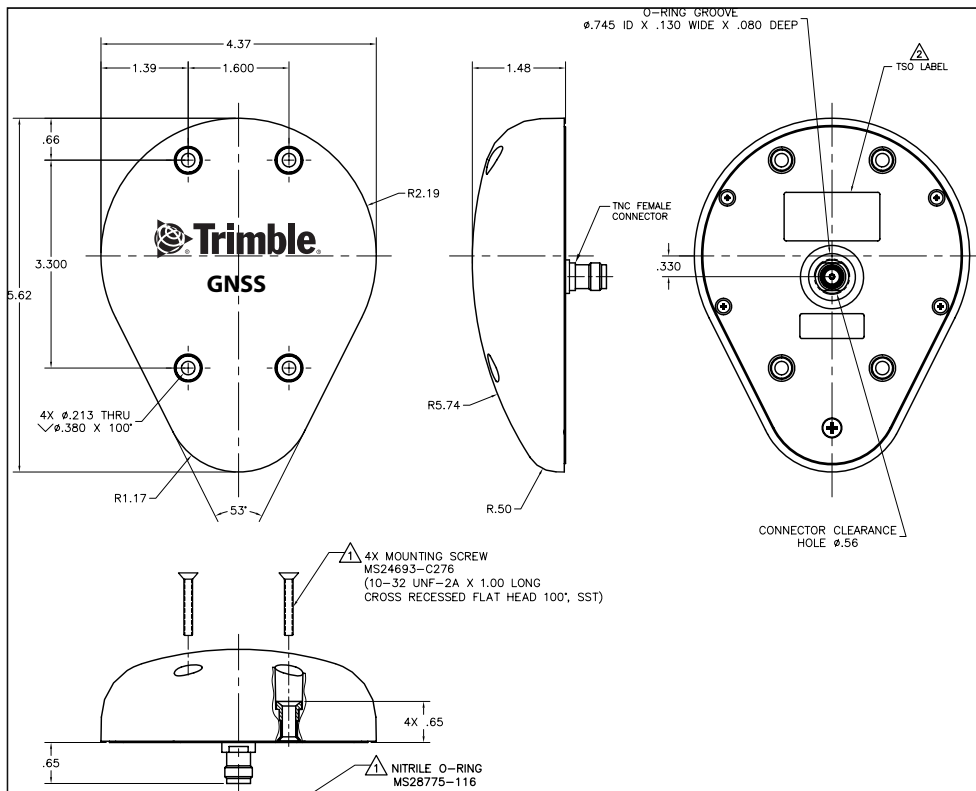
## PART NUMBERS

- 105728 (US) ..... Trimble AV39 Antenna
- 105728-10 ..... Trimble AV39 Antenna (Non-US Orders)

## PHYSICAL AND ELECTRICAL SPECIFICATIONS

Dimensions . . .	14.27 cm length, 11.10 cm width, 3.76 cm height
	5.62" length, 4.37" width, 1.48" height
Weight . . . . .	0.386 kg (0.85 lbs)
Operating Temperature . . .	-55 °C to +70 °C (-67 °F to +158 °F)
Altitude . . . . .	≤ 16,764 m (55,000 ft)
Finish . . . . .	UV Resistant white radome with aluminum base
Designed to . . . . .	DO-160E
	ARINC 743 Footprint
	RTCA DO-210D
TSO . . . . .	Incomplete TSO-C132
Frequencies . . . . .	1525-1610 MHz
	1160-1252 MHz
Signal gain . . . . .	38 dB
Voltage . . . . .	4.2 to 15.0 VDC
Polarization . . . . .	Right Hand Circular
Axial Ratio . . . . .	3 dB Max @ boresight
Amplifier Noise Figure . . . . .	3.5 dBMax
Impedance . . . . .	50 Ohms
	VSWR : ≤ 2.0:1

Specifications subject to change without notice.



## TRIMBLE

Integrated Technologies  
 510 DeGuigne Drive  
 Sunnyvale, CA 94085  
 Americas & Asia-Pacific  
 Europe/EMEA

Email: sales-intech@trimble.com